

SANITARY VALVES & FITTINGS



**GOLDEN HIGHOPE INDUSTRIAL INC.
EVERBEST VALVES & FITTINGS MFG. CO., LTD (For China's Shipment)**

Mail address: P. O. Box 1065 Taichung, Taiwan, R.O.C.

Tel: 886-4-23726536/23727238

Fax: 886-4-23726216/23715068

Address: 2F, No.198, Huai Ning Street, South area, Taichung, Taiwan, R.O.C

Home page (Website): <http://valve-fitting.com.tw>

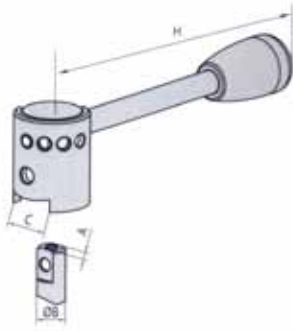






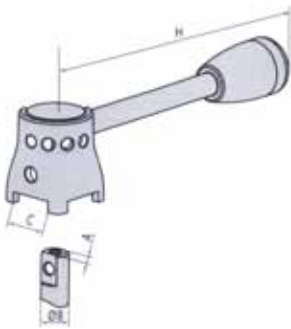






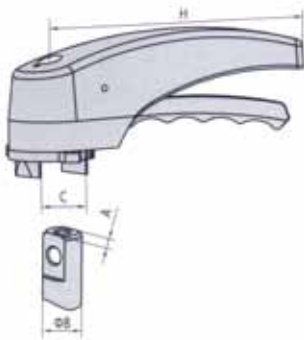
SIZE		A	B	C	H
DN25-DN50	1"-2"	8	12	20	140
DN65	2.5"-3"	8	12	20	155
DN80-DN100	4"	10	14	24	155
DN125-DN150	5"-6"	12	16	30	192

Adjusting:2 position,3 position,4 position used for butterfly valve



SIZE		A	B	C	H
DN25-DN50	1"-2"	8	12	20	140
DN65	2.5"-3"	8	12	20	155
DN80-DN100	4"	10	14	24	155
DN125-DN150	5"-6"	12	16	30	192

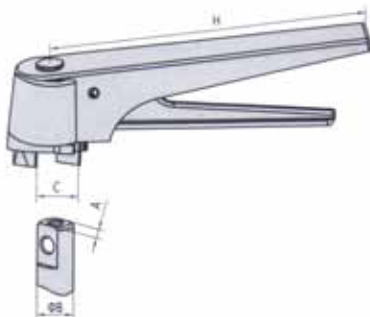
Adjusting:2 position,3 position,4 position used for butterfly valve



SIZE		A	B	C	H
DN25-DN50	1"-2"	8	12	20	150
DN65	2.5"-3"	8	12	20	150
DN80-DN100	4"	10	14	24	165
DN125-DN150	5"-6"	12	16	30	165

Adjusting:2 position,3 position,4 position used for butterfly valve

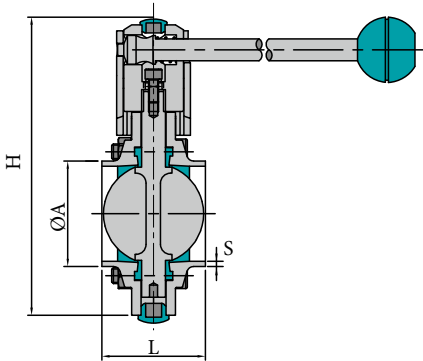
Stainless steel muti-position handle



SIZE		A	B	C	H
DN25-DN50	1"-2"	8	12	20	155
DN65	2.5"-3"	8	12	20	155
DN80-DN100	4"	10	14	24	155
DN125-DN150	5"-6"	12	16	30	155

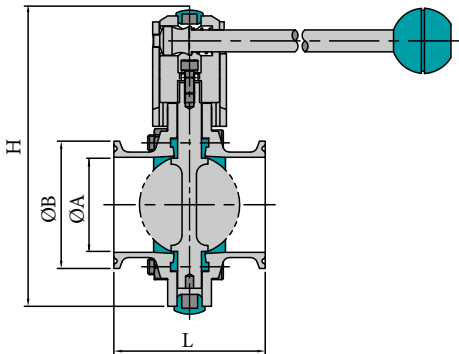
Adjusting:adjustment 15°, 13 position used for butterfly valve

Welding type with manual 3A



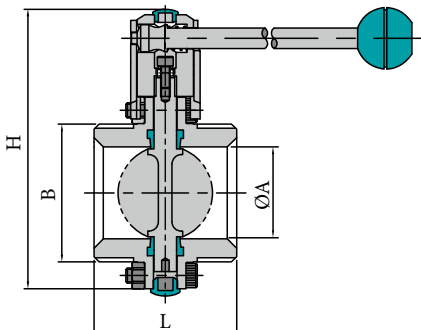
SIZE	A	S	L	H		
1"	25.4	1.65	44	113.5		
1.5"	38.1	1.65	48	132.5		
2"	50.8	1.65	48	145		
2.5"	63.5	1.65	50	163		
3"	76.2	1.65	56	190		
4"	101.6	2	60	210		

Clamp type with manual 3A



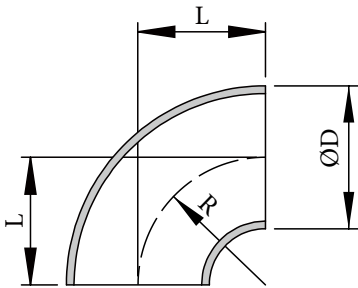
SIZE	A	B	L	H		
1"	22.1	50.5	66	113.5		
1.5"	34.8	50.5	68	132.5		
2"	47.5	64	70	145		
2.5"	60.2	77.5	72	163		
3"	72.9	91	72	190		
4"	97.38	119	98	210		

Threaded type with manual 3A



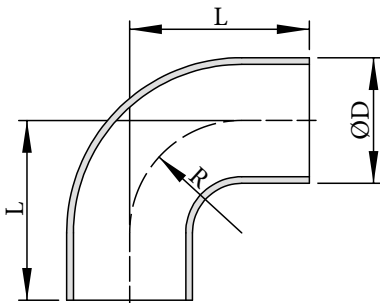
SIZE	A	B	L	H		
1"	22.1	37.13X8TPI ACME	66	113.5		
1.5"	34.8	50.65X8TPI ACME	68	132.5		
2"	47.5	64.16X8TPI ACME	70	145		
2.5"	60.2	77.67X8TPI ACME	72	163		
3"	72.9	91.19X8TPI ACME	72	190		
4"	97.6	119.25X6TPI ACME	98	210		

3A90L | 90° Welded Elbow



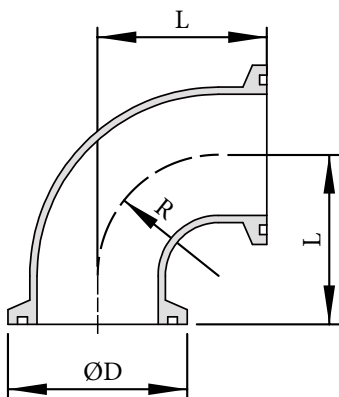
SIZE	L	D	R			
1/2"	19.05	12.7	19.05			
3/4"	28.5	19.1	28.5			
1"	38.1	25.4	38.1			
1-1/2"	57.2	38.1	57.2			
2"	76.2	50.8	76.2			
2-1/2"	95.3	63.5	95.3			
3"	114.3	76.2	114.3			
4"	152.4	101.6	152.4			
6"	228.6	152.4	228.6			

3A90LS | 90° Welded Elbow With Straight Ends



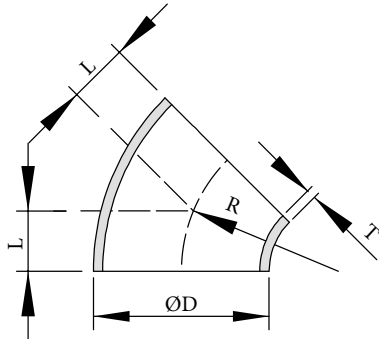
SIZE	L	D	R			
1"	52.4	25.4	38.1			
1-1/2"	74.6	38.1	57.2			
2"	103.2	50.8	76.2			
2-1/2"	131.8	63.5	95.3			
3"	160.3	76.2	114.3			
4"	211.1	101.6	152.4			

3A90LCC | 90° Clamped Elbow



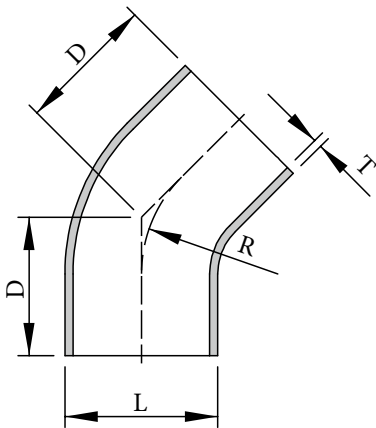
SIZE	L	D	R			
1"	50.8	25.4	38.1			
1-1/2"	74.6	38.1	57.2			
2"	103.2	50.8	76.2			
2-1/2"	131.8	63.5	95.3			
3"	160.3	76.2	114.3			
4"	211.1	101.6	152.4			

3A45L | 45° Welded Elbow



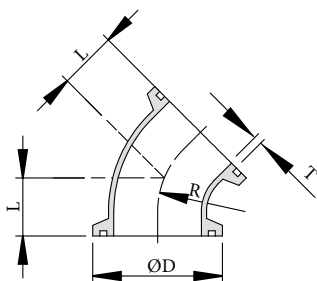
SIZE	L	D	R	T		
1"	15.8	25.4	38.1	1.65		
1-1/2"	23.8	38.1	57.2	1.65		
2"	31.8	50.8	76.2	1.65		
2-1/2"	39.7	63.5	95.3	1.65		
3"	47.6	76.2	114.3	1.65		
4"	63.5	101.6	152.4	2.1		
6"	94.7	152.4	228.6	2.8		

3A45LS | 45° Welded Elbow With Straight Ends



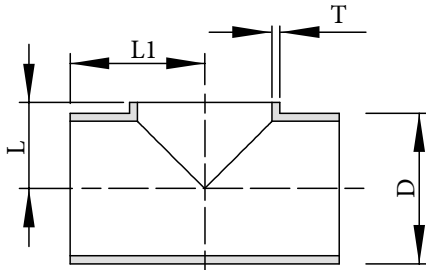
SIZE	L	D	R	T		
1"	30.2	25.4	38.1	1.65		
1-1/2"	41.3	38.1	57.2	1.65		
2"	58.7	50.8	76.2	1.65		
2-1/2"	76.2	63.5	95.3	1.65		
3"	93.7	76.2	114.3	1.65		
4"	122.2	101.6	152.4	2.10		

3A45LCC | 45° Clamped Elbow



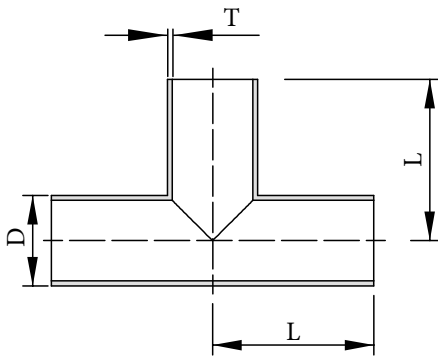
SIZE	L	D	R	T		
1"	28.6	50.5	38.1	1.65		
1-1/2"	36.5	50.5	57.2	1.65		
2"	44.5	64.0	76.2	1.65		
2-1/2"	52.4	77.5	95.3	1.65		
3"	60.3	91.0	114.3	1.65		
4"	79.4	119.0	152.4	2.10		

3AST | Welded Tee Short-Type



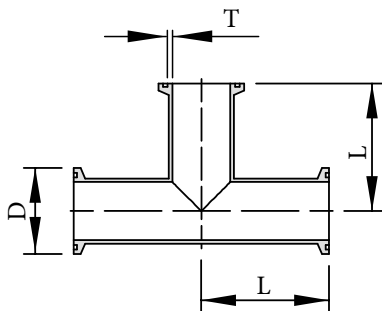
SIZE	L	D	T			
1"	28.6	25.4	1.65			
1-1/2"	42.05	38.1	1.65			
2"	52.35	50.8	1.65			
2-1/2"	59.55	63.5	1.65			
3"	65.9	76.2	1.65			
4"	87.35	101.6	2.10			

3ALT | Welded Tee Long-Type



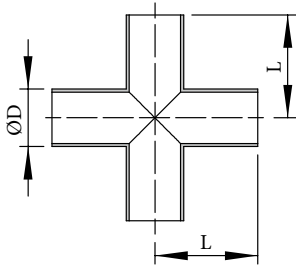
SIZE	L	D	T			
1"	47.6	25.4	1.65			
1-1/2"	57.2	38.1	1.65			
2"	76.2	50.8	1.65			
2-1/2"	76.2	63.5	1.65			
3"	82.6	76.2	1.65			
4"	98.4	101.6	2.10			

3ATCC | Clamped Tee



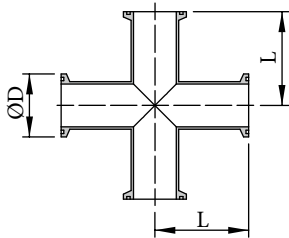
SIZE	L	D	T			
1"	60.3	50.5	1.65			
1-1/2"	69.9	50.5	1.65			
2"	88.9	64.0	1.65			
2-1/2"	88.9	77.5	1.65			
3"	95.3	91.0	1.65			
4"	114.3	119.0	2.10			

3ACRO | Welded Cross



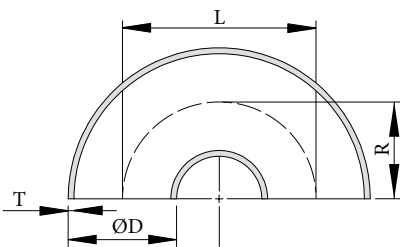
SIZE	L(type1)	D	L(type2)	D		
1"	47.6	25.4	28.6	25.4		
1-1/2"	57.2	38.1	42.1	38.1		
2"	76.2	50.8	52.4	50.8		
2-1/2"	76.2	63.5	54.5	63.5		
3"	82.6	76.2	65.9	76.2		
4"	98.4	101.6	87.3	101.6		

3ACROCC | Clamped Cross



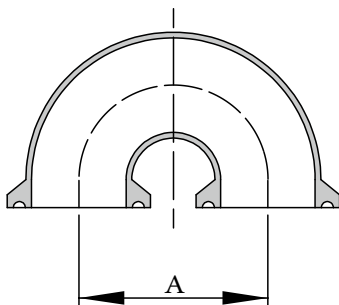
SIZE	L	D			
1"	60.3	50.5			
1-1/2"	69.9	50.5			
2"	88.9	64.0			
2-1/2"	88.9	77.5			
3"	95.3	91.0			
4"	114.3	119.0			

3A180L | 180° U Bend



SIZE	L	D	R	T		
1"	76.2	25.4	38.1	1.65		
1-1/2"	114.3	38.1	57.2	1.65		
2"	152.4	50.8	76.2	1.65		
2-1/2"	190.5	63.5	95.3	1.65		
3"	228.6	76.2	114.3	1.65		
4"	304.8	101.6	152.4	2.10		

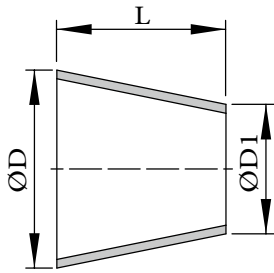
3A180LCC | Bend Clamped Ends



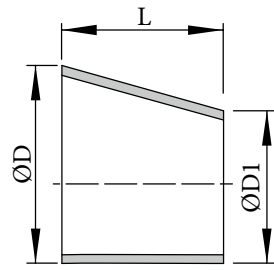
SIZE	A				
	inch	mm			
1"	3"	76.2			
1-1/2"	4-1/2"	114.3			
2"	6"	152.4			
2-1/2"	7-1/2"	190.5			
3"	9"	228.6			
4"	12"	304.8			

3ACR
3AER

Welded Reducer



Concentric

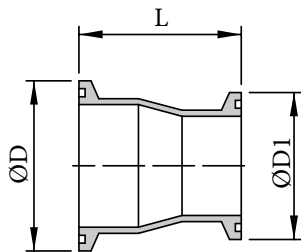


Eccentric

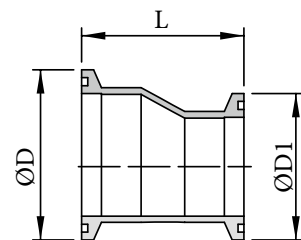
SIZE	L	D	D1			
1/2"x1"	50.8	38.1	25.4			
2"x1"	101.64	50.8	25.4			
2"x1-1/2"	50.8	50.8	38.1			
2-1/2"x1-1/2"	101.6	63.5	38.1			
2-1/2"x2"	50.8	63.5	50.8			
3"x1/2"	152.4	76.2	38.1			
3"x2"	101.6	76.2	50.8			
3"x2-1/2"	50.8	76.2	63.5			
4"x2"	203.2	101.6	50.8			
4"x2-1/2"	152.4	101.6	63.5			
4"x3"	101.6	101.6	76.2			

3ACRCC
3AERCC

Clamp Reducer



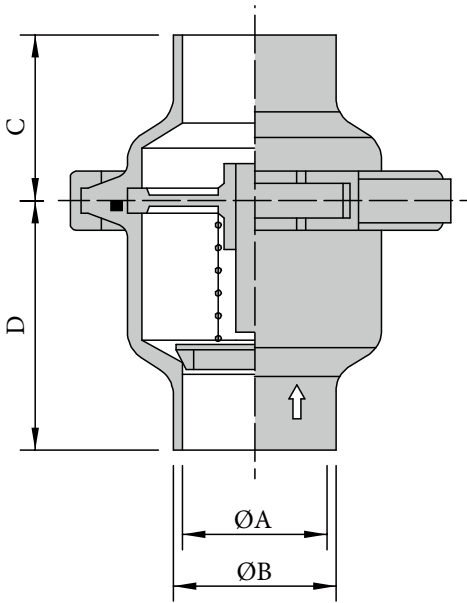
Concentric



Eccentric

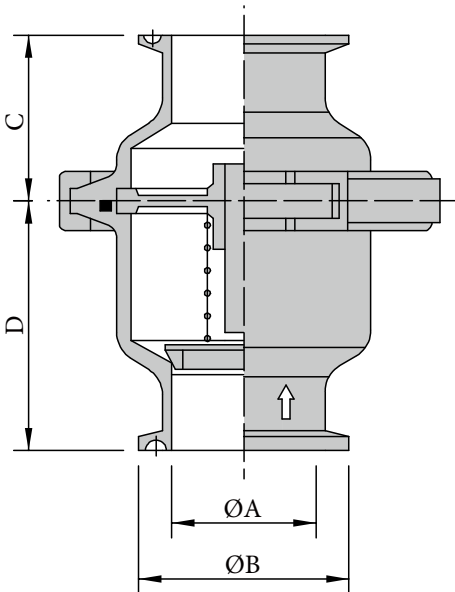
SIZE	L	D	D1			
1/2"x1"	76.2	50.5	50.5			
2"x1"	127.0	64.0	50.5			
2"x1-1/2"	76.0	64.0	50.5			
2-1/2"x1-1/2"	127.0	77.5	50.5			
2-1/2"x2"	76.2	77.5	50.5			
3"x1/2"	177.0	91.0	50.5			
3"x2"	127.0	91.0	64.0			
3"x2-1/2"	76.2	91.0	77.5			
4"x2"	231.8	119.0	64.0			
4"x2-1/2"	181.0	119.0	77.5			
4"x3"	130.2	119.0	91.0			

3A | Welded-welded series



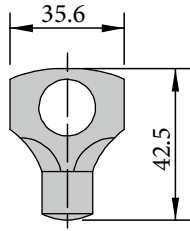
SIZE	A	B	C	D		
1/2"	9.4	12.7	28.5	39.5		
3/4"	15.75	19.05	28.5	39.5		
1"	22.1	25.4	38	59		
1.5"	34.8	38.1	38	59		
2"	47.5	50.8	38	59		
2.5"	60.2	63.5	38	59		
3"	72.9	76.2	42	59		
4"	97.38	101.6	44	55		

3A | Clamp-clamp series

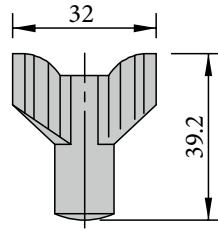


SIZE	A	B	C	D		
1/2"	9.4	25.2	28.5	39.5		
3/4"	15.57	25.2	28.5	39.5		
1"	22.1	50.5	38	59		
1.5"	34.8	50.5	38	59		
2"	47.5	64	38	59		
2.5"	60.2	77.5	38	59		
3"	72.9	91	42	59		
4"	97.38	119	44	55		

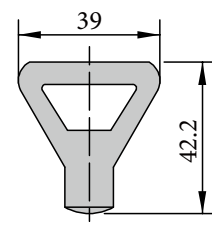
NUT



13MHH-14

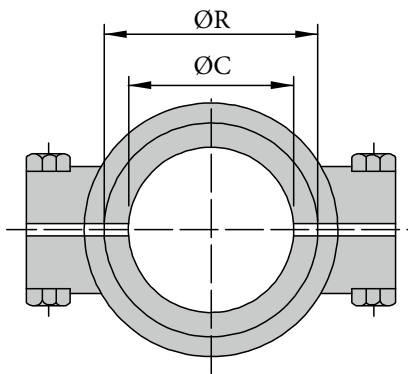


13MHH-11



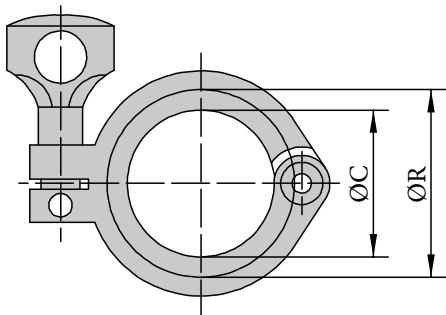
13MHH-13

13MHP | High Pressure Clamp



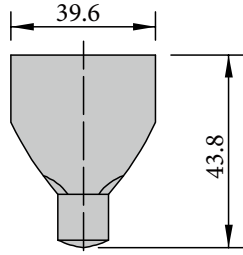
SIZE	R	C			
1"	53.6	44.4			
1-1/4"	53.6	44.4			
1-1/2"	53.6	44.4			
2"	67	57.8			
2-1/2"	80.6	71.4			
3"	94.2	84			
3-1/2"	109.2	99			
4"	122.2	110			
4-1/2"	133.2	123			
6"	170.4	155.4			
8"	220	205			
10"	272	257			
12"	323	308			

13MHH | Heavy Duty Single Pin Clamp

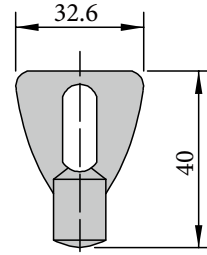


SIZE	R	C			
1/2"~3/4"	28	20			
1-1/2"	53.6	44.4			
2"	67	57.8			
2-1/2"	80.6	71.4			
3"	94.2	84			
3.5"	109.2	99			
4"	122.2	110			
4.5"	133.2	123			
6"	170.4	155.4			
8"	220	205			
10"	272	257			
12"	323	308			

NUT

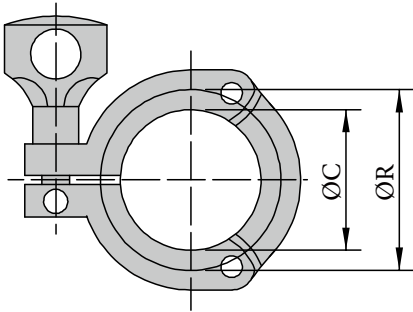


13MHH-12



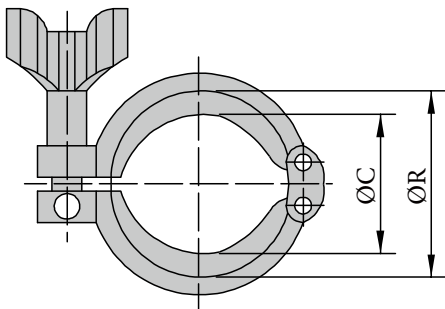
13SP-2

13TP | 3 Pieces Clamp



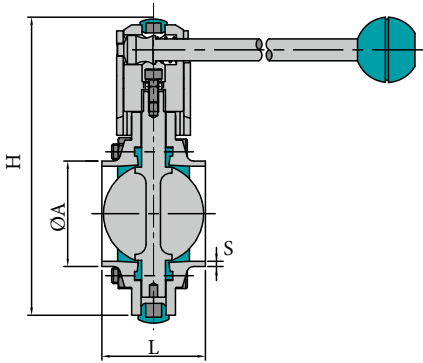
SIZE	R	C				
1"	53.6	44.4				
1-1/2"	53.6	44.4				
2"	67	57.8				
2-1/2"	80.6	71.4				
3"	94.2	84				
3-1/2"	109.2	99				
4"	122.2	110				
4-1/2"	133.2	123				
6"	170.4	155.4				
8"	220	205				
10"	272	257				
12"	323	308				

13MHHM | Heavy Duty Double Pin Clamp



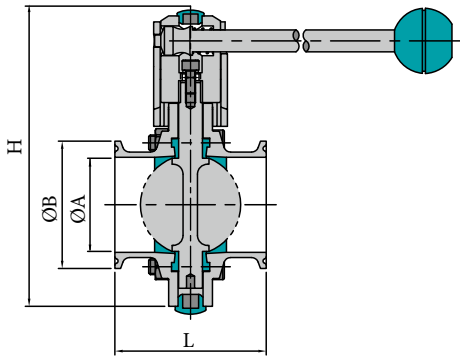
SIZE	R	C				
1"	53.6	44.4				
1-1/2"	53.6	44.4				
2"	67	57.8				
2-1/2"	80.6	71.4				
3"	94.2	84				
3-1/2"	109.2	99				
4"	122.2	110				
4-1/2"	133.2	123				
6"	170.4	155.4				
8"	220	205				
10"	272	257				
12"	323	308				

Welding type with manual DIN



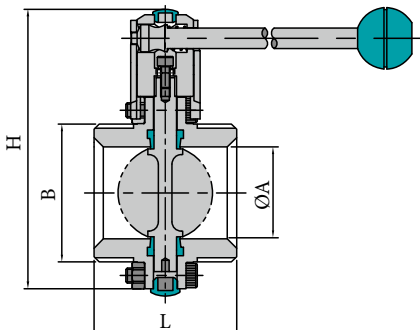
SIZE	A		S	L	H
	1	2			
DN20	22	23	1.5	44	113.5
DN25	28	29	1.5	44	113.5
DN32	34	35	1.5	48	123.5
DN40	40	41	1.5	48	132.5
DN50	52	53	1.5	48	145
DN65	70		2	50	163
DN80	85		2	56	190
DN100	104		2	60	210
DN125	129		2	70	239
DN150	154		2	80	288

Clamp type with manual DIN



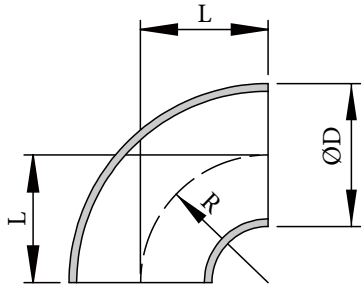
SIZE	A	B	L	H
DN20	20	34	66	113.5
DN25	26	50.5	66	113.5
DN32	32	50.5	66	125.5
DN40	38	50.5	68	132.5
DN50	50	64	70	145
DN65	66	91	72	163
DN80	81	106	92	190
DN100	100	119	98	210
DN125	125	155	106	239
DN150	150	183	120	288

Threaded type with manual DIN



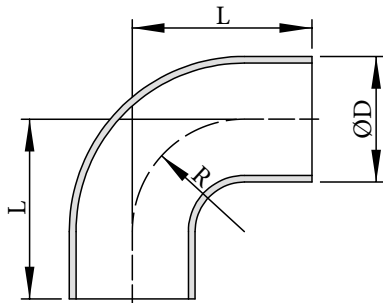
SIZE	A	B	L	H
DN20	20	RD44X1/6"	66	113.5
DN25	26	RD52X1/6"	66	113.5
DN32	32	RD58X1/6"	66	125.5
DN40	38	RD65X1/6"	68	132.5
DN50	50	RD78X1/6"	70	145
DN65	66	RD95X1/6"	72	163
DN80	81	RD110X1/4"	92	190
DN100	100	RD130X1/4"	98	210
DN125	125	RD160X1/4"	106	239
DN150	150	RD190X1/4"	120	288

DIN90L | 90° Welded Elbow(Short)



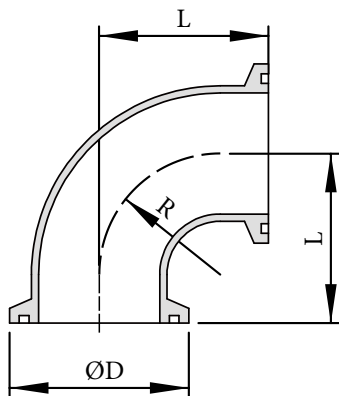
SIZE	L	D	R			
DN10	26	12	26			
DN15	35	18	35			
DN20	40	22	40			
DN25	50	28	50			
DN32	55	34	55			
DN40	60	40	60			
DN50	70	52	70			
DN65	80	70	80			
DN80	90	85	90			
DN100	100	104	100			
DN125	187	129	187			
DN150	225	154	225			

DIN90LS | 90° Welded Elbow With Straight Ends(Long)



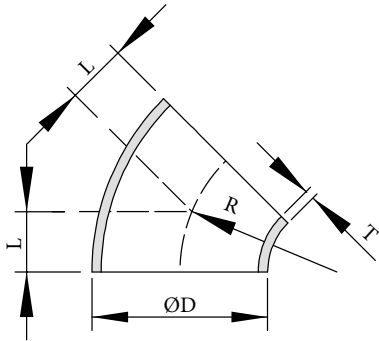
SIZE	L	D	R			
DN10	38	12	26			
DN15	47	18	35			
DN20	52	22	40			
DN25	70	28	50			
DN32	78	34	55.5			
DN40	85	40	60			
DN50	97	52	70			
DN65	110	70	80			
DN80	118	85	90			
DN100	140	104	100			

DIN90LCC | 90° Clamped Elbow



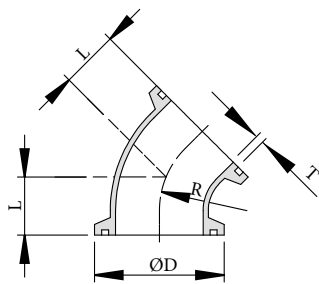
SIZE	L	D	R			
DN15	53	34	35			
DN20	58	34	40			
DN25	71	50.5	50			
DN32	76.5	50.5	55			
DN40	81.5	50.5	60			
DN50	91.5	64	70			
DN65	108	91	80			
DN80	118	106	90			
DN100	128	119	100			

DIN45L | 45° Welded Elbow



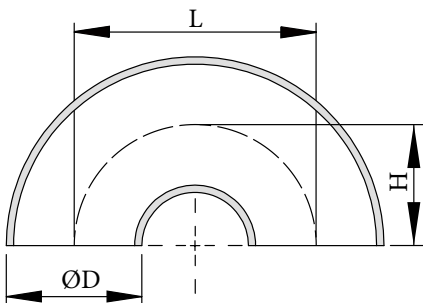
SIZE	L	D	R			
DN10	10.7	12.0	26.0			
DN15	14.5	18.0	35.0			
DN20	16.5	22.0	40.0			
DN25	20.7	28.0	50.0			
DN32	22.8	34.0	55.0			
DN40	24.8	40.0	60.0			
DN50	29.0	52.0	70.0			
DN65	33.2	70.0	80.0			
DN80	37.3	85.0	90.0			
DN100	41.5	104.0	100.0			
DN125	77.5	129.0	187.0			
DN150	93.2	154.0	225.0			

DIN45LCC | 45° Clamped Elbow



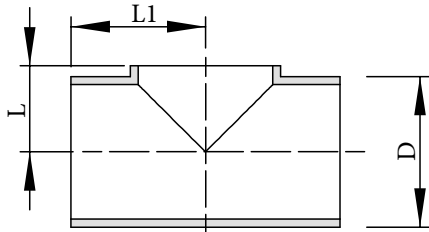
SIZE	L	D	R			
DN20	34.5	34.0	40.0			
DN25	42.2	50.5	50.0			
DN32	44.3	50.5	55.0			
DN40	46.3	50.5	60.0			
DN50	50.5	64.0	70.0			
DN65	61.2	91.0	80.0			
DN80	65.3	106.0	90.0			
DN100	69.5	119.0	100.0			

DIN180L | 180° U Bend



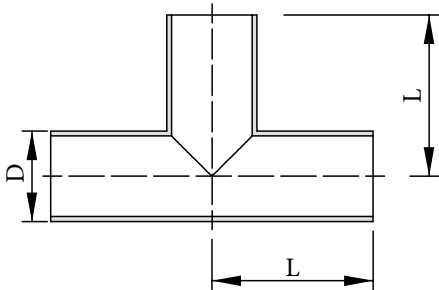
SIZE	L	D	H			
DN15	70	18	35			
DN20	80	22	40			
DN25	100	28	50			
DN32	110	34	55			
DN40	120	40	60			
DN50	140	52	70			
DN65	160	70	80			
DN80	180	85	90			
DN100	200	104	100			

DINPT | Welded Pull Tee



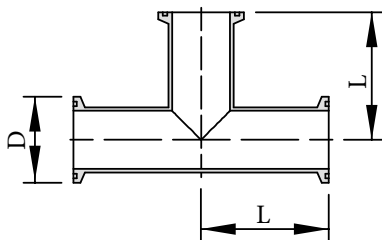
SIZE	L	L1	D			
DN10	7.5	26	12.0			
DN15	10.5	35	18.0			
DN20	12.5	40	22.0			
DN25	16.0	50	28.0			
DN32	19.5	55	34.0			
DN40	22.5	60	40.0			
DN50	30.0	70	52.0			
DN65	39.5	80	70.0			
DN80	47.5	90	85.0			
DN100	58.0	100	104.0			
DN125	70.5	187	129.0			
DN150	83	225	154.0			

DINT | Welded Tee Long-Type



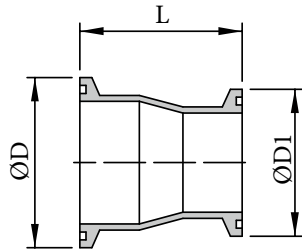
SIZE	L	D			
DN10	26	12			
DN15	35	18			
DN20	40	22			
DN25	50	28			
DN32	55	34			
DN40	60	40			
DN50	70	52			
DN65	80	70			
DN80	90	85			
DN100	100	104			
DN125	187	129			
DN150	225	154			

DINTCC | Clamped Tee

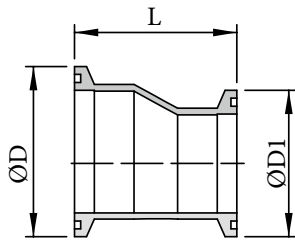


SIZE	L	R			
DN15	53	34			
DN20	58	34			
DN25	71	50.5			
DN32	76.5	50.5			
DN40	81.5	50.5			
DN50	91.5	64			
DN65	108	91			
DN80	118	106			
DN100	128	119			

DINCRCC
DINERCC | Clamped Reducer



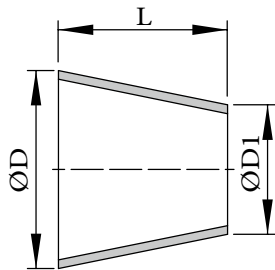
Concentric



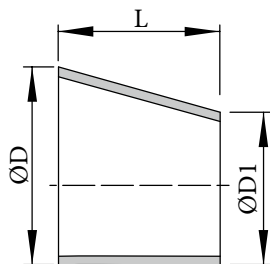
Eccentric

SIZE	L	D	D1			
DN20/15	86	34	34			
DN25/20	86	50.5	34			
DN32/20	106	50.5	34			
DN32/25	106	50.5	50.5			
DN40/20	128	50.5	34			
DN40/25	128	50.5	50.5			
DN40/32	128	50.5	50.5			
DN50/25	141	64	50.5			
DN50/32	141	64	50.5			
DN50/40	141	64	50.5			
DN65/25	151	91	50.5			
DN65/32	151	91	50.5			
DN65/40	146	91	50.5			
DN65/50	146	91	64			
DN80/40	166	106	50.5			
DN80/50	151	106	64			
DN80/65	146	106	91			
DN100/50	192	119	64			
DN100/65	159	119	91			
DN100/80	152	119	106			

DINCR
DINER | Clamped Reducer



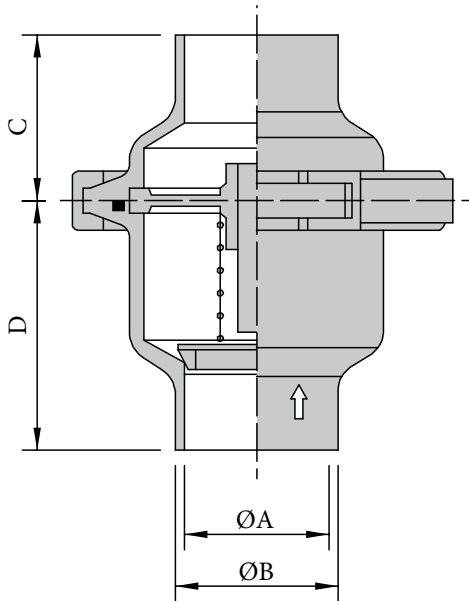
Concentric



Eccentric

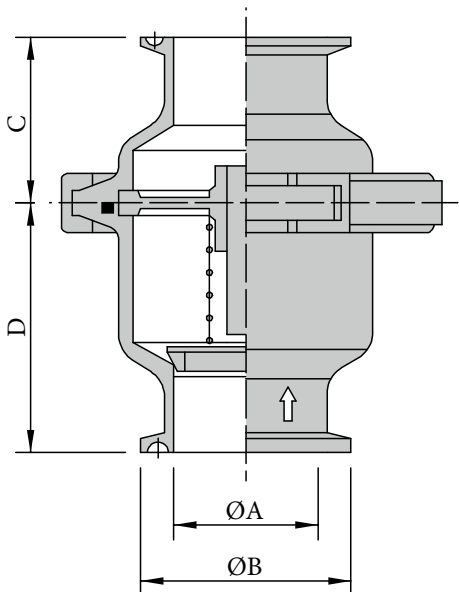
SIZE	L	D	D1			
DN20/15	7	22	18			
DN25/20	11	28	22			
DN32/20	22	34	22			
DN32/25	11	34	28			
DN40/20	33	40	22			
DN40/25	22	40	28			
DN40/32	11	40	34			
DN50/25	44	52	28			
DN50/32	33	52	34			
DN50/40	22	52	40			
DN65/25	73	70	28			
DN65/32	62	70	34			
DN65/40	51	70	40			
DN65/50	29	70	52			
DN80/40	78	85	40			
DN80/50	44	85	52			
DN80/65	27	85	70			
DN100/50	90	104	52			
DN100/65	64	104	70			
DN100/80	34	104	85			

DIN | Welded-welded series



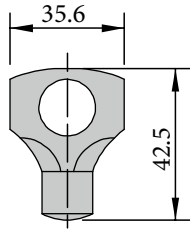
SIZE	A	B	C	D		
DN20	20	23	28.5	39.5		
DN25	26	29	38	59		
DN32	32	35	38	59		
DN40	38	41	38	59		
DN50	50	53	38	59		
DN65	66	70	38	59		
DN80	81	85	42	59		
DN100	100	104	44	55		

DIN | Clamp-clamp series

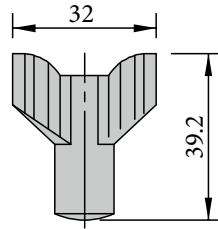


SIZE	A	B	C	D		
DN20	20	34	28.5	39.5		
DN25	26	50.5	38	59		
DN32	32	50.5	38	59		
DN40	38	50.5	38	59		
DN50	50	64	38	59		
DN65	66	91	38	59		
DN80	81	106	42	59		
DN100	100	119	44	55		

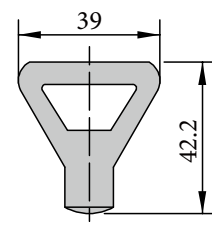
NUT



13MHH-14

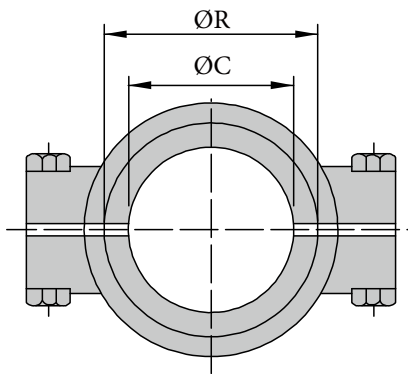


13MHH-11



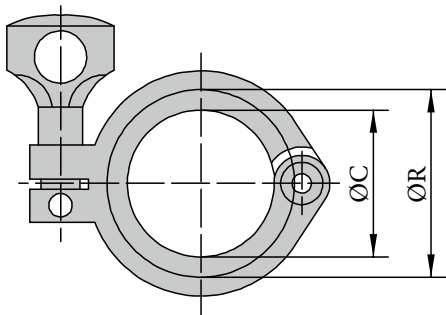
13MHH-13

13MHP | High Pressure Clamp



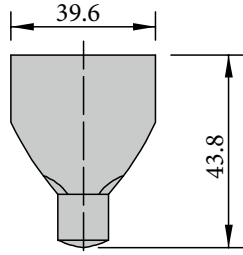
SIZE	R	C			
DN25	53.6	44.4			
DN32	53.6	44.4			
DN40	53.6	44.4			
DN50	67	57.8			
DN65	94.2	84			
DN80	109.2	99			
DN100	122.2	110			
DN125	159	144			
DN150	187	172			
DN200	237.5	222.5			
DN250	272	257			
DN300	323	308			

13MHH | Heavy Duty Single Pin Clamp

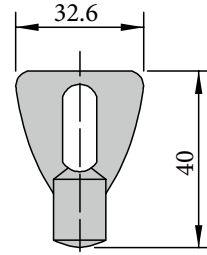


SIZE	R	C			
DN10	37	27.8			
DN15	37	27.8			
DN20	37	27.8			
DN25	53.6	44.4			
DN32	53.6	44.4			
DN40	53.6	44.4			
DN50	67	57.8			
DN65	94.2	84			
DN80	109.2	99			
DN100	122.2	110			
DN125	159	144			
DN150	187	172			
DN200	237.5	222.5			
DN250	272	257			
DN300	323	308			

NUT

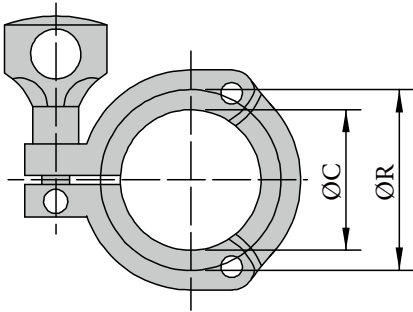


13MHH-12



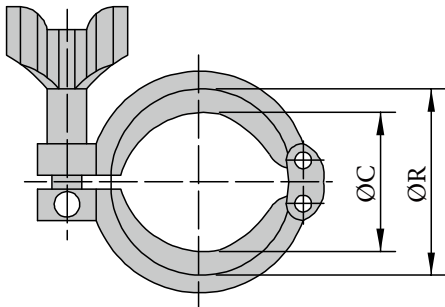
13SP-2

13TP | 3 Pieces Clamp



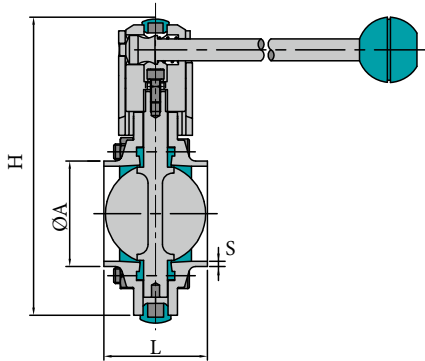
SIZE	R	C			
DN25	53.6	44.4			
DN32	53.6	44.4			
DN40	53.6	44.4			
DN50	67	57.8			
DN65	94.2	84			
DN80	109.2	99			
DN100	122.2	110			
DN125	159	144			
DN150	187	172			
DN200	237.5	222.5			
DN250	272	257			
DN300	323	308			

13MHHM | Heavy Duty Double Pin Clamp



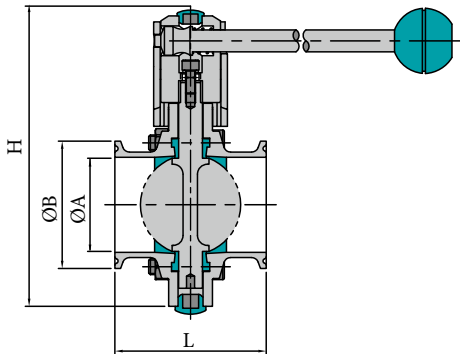
SIZE	R	C			
DN25	53.6	44.4			
DN32	53.6	44.4			
DN40	53.6	44.4			
DN50	67	57.8			
DN65	94.2	84			
DN80	109.2	99			
DN100	122.2	110			
DN125	159	144			
DN150	187	172			
DN200	237.5	222.5			
DN250	272	257			
DN300	323	308			

Welded Butterfly Valve SMS



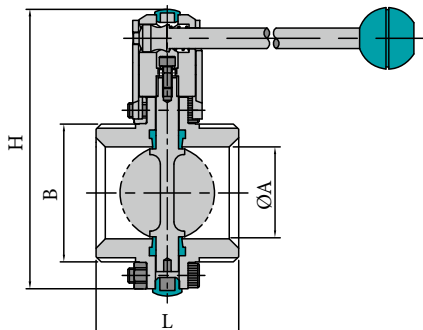
SIZE	A	S	L	H		
1"	25.4	1.65	44	113.5		
1.5"	38.1	1.65	48	132.5		
2"	50.8	1.65	48	145		
2.5"	63.5	1.65	50	163		
3"	76.2	1.65	56	190		
4"	101.6	2.11	60	210		

Clamped Butterfly Valve SMS



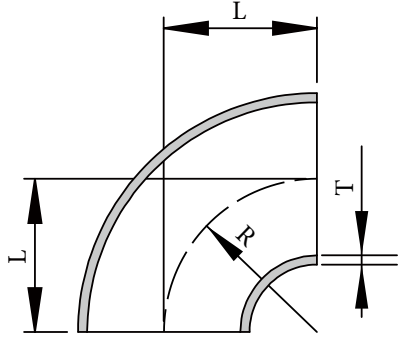
SIZE	A	B	L	H		
1"	22.1	50.5	66	113.5		
1.5"	34.8	50.5	68	132.5		
2"	47.5	64	70	145		
2.5"	60.2	77.5	72	163		
3"	72.9	91	72	190		
4"	97.38	119	98	210		

Threaded Butterfly Valve SMS



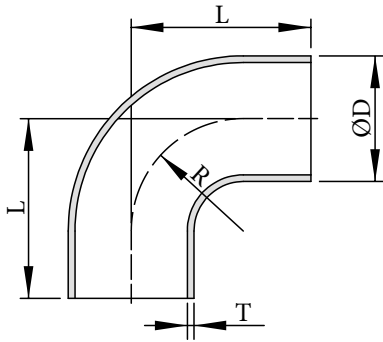
SIZE	R	G	L	H	W	KxK
19	78.0	RD36x1/8	66	39.0	126.0	10.0x10.0
25	78.0	RD40x1/6	66	39.0	126.0	10.0x10.0
32	78.0	RD48x1/6	66	39.0	126.0	10.0x10.0
38	86.0	RD60x1/6	70	43.0	126.0	10.0x10.0
51	100.0	RD70x1/6	76	45.0	126.0	10.0x10.0
63	115.0	RD85x1/6	80	53.0	133.0	10.0x10.0
76	128.0	RD98x1/6	84	62.0	144.0	10.0x10.0
89	139.0	RD110x1/6	90	69.5	160.0	10.0x10.0
102	154.0	RD125x1/6	104	77.5	160.0	10.0x10.0

SMS90L | 90° Welded Blbow



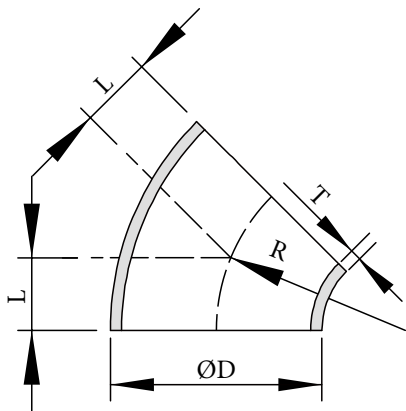
SIZE	L	D	R	T		
25	38.1	25.4	38.1	1.5		
38	57.2	38.1	57.2	1.5		
51	76.2	50.8	76.2	1.5		
63	95.2	63.5	95.2	1.5		
76	114.3	76.2	114.3	2.0		
102	152.4	101.6	152.4	2.0		

SMS90LS | 90° Welded Blbow With Straight Ends



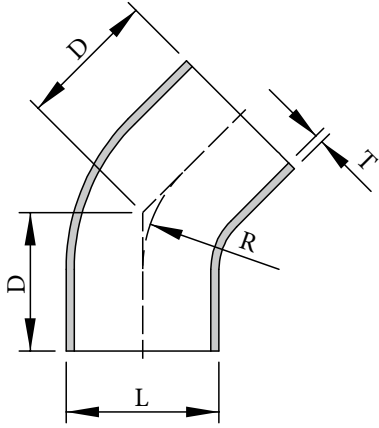
SIZE	L	D	R	T		
25	52.5	25.4	25.4	1.5		
38	72	38.1	38.1	1.5		
51	91.5	50.8	50.8	1.5		
63	113.25	63.5	63.5	1.5		
76	132.15	76.2	76.2	2.0		
102	176	101.6	101.6	2.0		

SMS45L | 45° Short-Type Welded Elbow



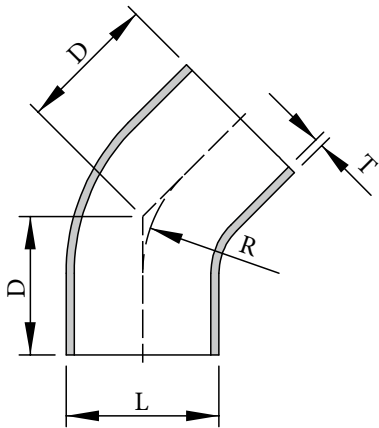
SIZE	L	D	R	T		
25	15.8	25.4	38.7	1.5		
38	23.7	38.1	57.2	1.5		
51	31.8	50.8	76.2	1.5		
63	39.6	63.5	95.3	2.0		
76	47.5	76.2	114.3	2.0		
102	63.2	101.6	152.4	2.0		

SMS45LL | 45° Welded Elbow Long-Type



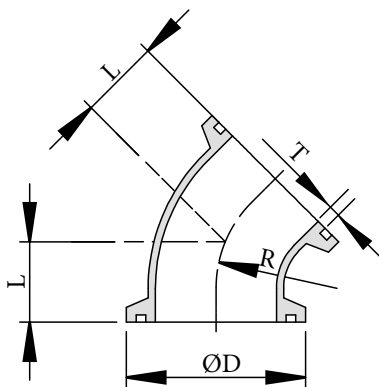
SIZE	L	D	R	T		
25	42.5	25.4	38.7	1.5		
38	56.8	38.1	57.2	1.5		
51	68.6	50.8	76.2	1.5		
63	78.4	63.5	95.2	1.5		
76	85.2	76.2	114.3	2.0		
102	103.0	101.6	152.4	2.0		

SMS45LS | 45° Welded Elbow With Straight Ends



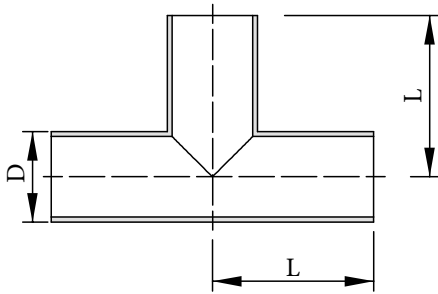
SIZE	L	D	R	T		
1"	30.2	25.4	38.7	1.65		
1-1/2"	41.3	38.1	57.2	1.65		
2"	58.7	50.8	76.2	1.65		
2-1/2"	76.2	63.5	95.2	1.65		
3"	93.7	76.2	114.3	1.65		
4"	122.2	101.6	152.4	2.10		

SMS45LCC | 45° Clamped Elbow



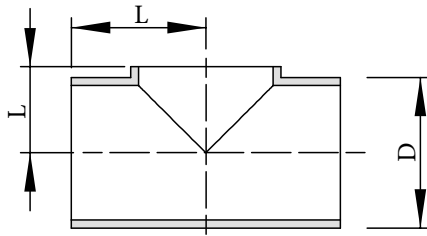
SIZE	L	D	R	T		
1"	28.6	50.5	38.7	1.65		
1-1/2"	36.5	50.5	57.2	1.65		
2"	44.5	64.0	76.2	1.65		
2-1/2"	52.4	77.5	95.2	1.65		
3"	60.3	91.0	114.3	1.65		
4"	79.4	119.0	152.4	2.10		

SMSTS | Welded Tee With Straight End(Long)



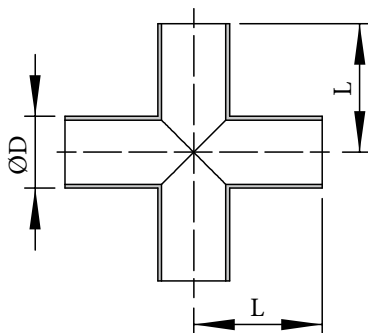
SIZE	L	D				
25	55	25.4				
38	70	38.0				
51	82	50.8				
63	105	63.5				
76	110	76.2				
102	150	101.6				

SMSP T | Welded Tee Short-Type



SIZE	L	L2	D			
25	14.5	55	25.4			
38	21.5	70	38.0			
51	29.5	82	50.8			
63	36.0	105	63.5			
76	43.0	110	76.2			
102	57.0	150	101.6			

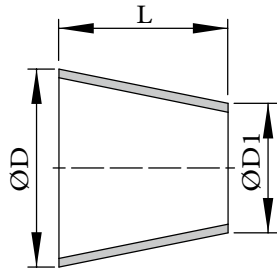
SMSCRO | Welded Cross



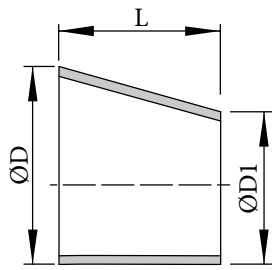
SIZE	L	L2	D			
25	55	15	25.4			
38	70	21	38.0			
51	82	29	50.8			
63	105	36	63.5			
76	110	44	76.2			
102	150	58	101.6			

SMSCR
SMSER

Welded Reducer



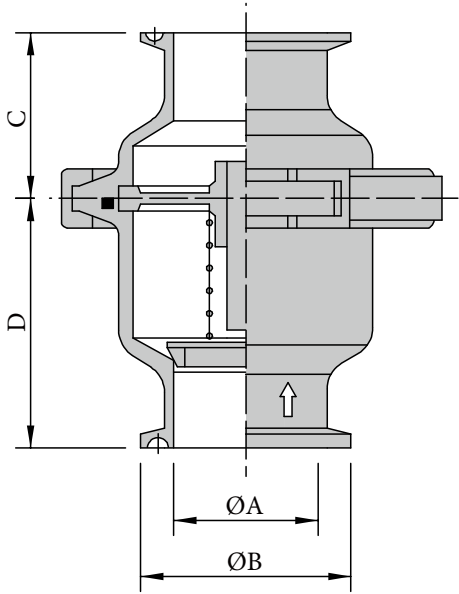
Concentric



Eccentric

SIZE	L	D	D1			
1-1/2"x1"	39	38.1	25.4			
2"x1"	57	50.8	25.4			
2"x1-1/2"	39	50.8	38.1			
2-1/2"x1-1/2"	57	63.5	38.1			
2-1/2"x2"	39	63.5	50.8			
3"x1-1/2"	74	76.2	38.1			
3"x2"	57	76.2	50.8			
3"x2-1/2"	39	76.2	63.5			
4"x2"	95	101.6	50.8			
4"x2-1/2"	78	101.6	63.5			
4"x3"	60	101.6	76.2			

SMS | Clamp-clamp series



SIZE	A	B	C	D		
1/2"	9.4	25.2	28.5	39.5		
3/4"	15.57	25.2	28.5	39.5		
1"	22.1	50.5	38	59		
1.5"	34.8	50.5	38	59		
2"	47.5	64	38	59		
2.5"	60.2	77.5	38	59		
3"	72.9	91	42	59		
4"	97.38	119	44	55		

SANITARY UNIONS

GOLDEN HIGHOPE can produce sanitary unions with DIN, SMS, 3A, IDF, RJT, ISO, DS standard. The forged parts are made from forged steel and machined by CNC. Sanitary unions can be done at different surface as clients' requirement.

We do provide 3.1B certification of EN10204 for all the steel material.

All seal material must be fit to FDA.



Technical data

Standard	DIN, 3A, SMS, RJT, ISO, IDF, DS, Macon, GB
Size	1"~6" DN10~DN200 17.2~168.3
Steel material	304, 304L, 316, 316L (Forging)
Seal material	NBR, Silicone, EPDM, FPM, PTFE
Surface qualities	1. Ra ≤ 1.6 μm
	2. Ra ≤ 0.8 μm
	3. Ra ≤ 0.4 μm (Polished)

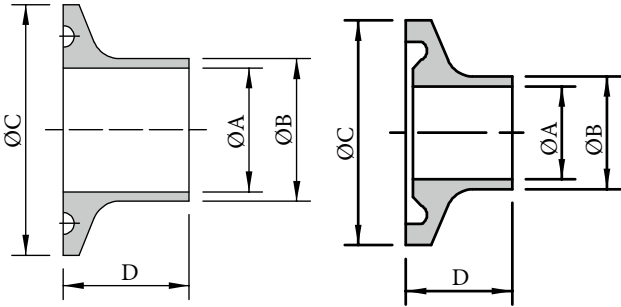
Ordering specification

Specify:

- Standard
- Size
- Steel material
- Seal material
- Surface quality
- Quantity

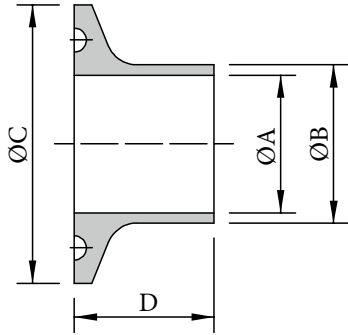
Example					
Standard	Size	Steel material	Seal material	Surface quality	Quantity
3A-13	1.5"	304	/	1 (Ra ≤ 1.6 μm)	200

3A Ferrule | 3A-14WMP/14MMP/14AMP



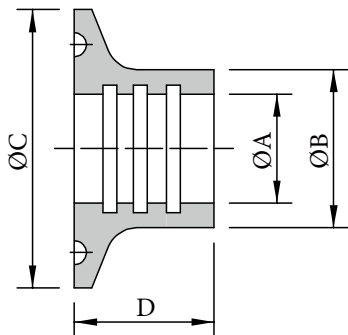
SIZE	A	B	C	D		
				14WMP	14MMP	14AMP
1/2"	9.4	12.7	25.2	12.7	21.5	28.6
3/4"	15.75	19.05	25.2	12.7	21.5	28.6
1"	22.2	25.4	50.5	12.7	21.5	28.6
1-1/2"	34.8	38.1	50.5	12.7	21.5	28.6
2"	47.5	50.8	64.0	12.7	21.5	28.6
2-1/2"	60.2	63.5	77.5	12.7	21.5	28.6
3"	72.9	76.2	91.0	12.7	21.5	28.6
4"	97.38	101.6	119.0	15.8	21.5	28.6
6"	146.86	152.4	166.8		21.5	28.6/38.1
8"	197.66	203.2	217.7		21.5	28.6/38.1
10"	247.2	254.0	268.5		21.5	28.6/38.1
12"	298	304.8	319.3		21.5	28.6/38.1

3A Ferrule | 3A-14MPW



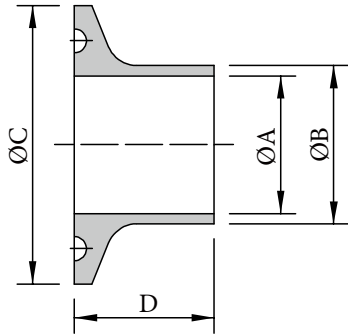
SIZE	A	B	C	D		
1"	22.1	29.4	50.5	41.3		
1-1/2"	34.8	42.5	50.5	41.3		
2"	47.5	55.6	64	44.5		
2-1/2"	60.2	68.7	77.5	44.5		
3"	72.9	81.8	91.0	46		
4"	97.38	108	119.0	54		

Expanding Ferrule | 3A-14RMP



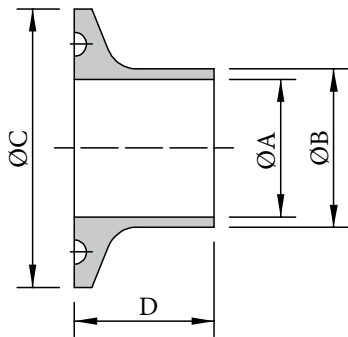
SIZE	A	B	C	D		
1"	25.5	29.5	50.5	19.1		
1-1/2"	38.2	42.6	50.5	28.6		
2"	50.9	55.7	64	33.3		
2-1/2"	63.6	68.8	77.5	34.9		
3"	76.3	81.9	91.0	36.5		
4"	101.7	108.1	119.0	38.1		

SMS Ferrule | SMS-14WMP/14MMP/14AMP



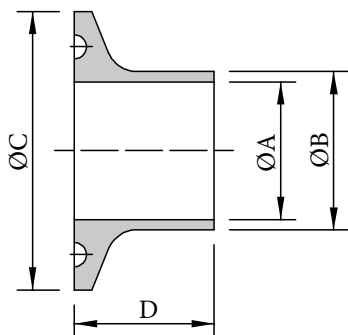
SIZE	A	B	C	D		
				14WMP	14MMP	14AMP
25	22.5	25	50.5	12.7	21.5	28.6
32	29.5	32	50.5	12.7	21.5	28.6
38	35.5	38	50.5	12.7	21.5	28.6
51	48.5	51	64.0	12.7	21.5	28.6
63.5	60.3	63.5	77.5	12.7	21.5	28.6
76	72.9	76.1	91.0	12.7	21.5	28.6
101.6	97.6	101.6	119.0	15.8	21.5	28.6

DIN Ferrule | DIN-14WMP/14MMP/14AMP



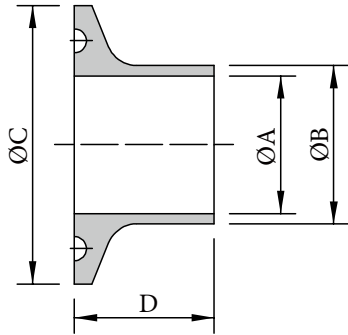
SIZE	A	B	C	D		
				14WMP	14MMP	14AMP
10	9/10	12/13	34	12.7	21.5	28.6
15	15/16	18/19	34	12.7	21.5	28.6
20	19/20	22/23	34	12.7	21.5	28.6
25	25/26	28/29	50.5	12.7	21.5	28.6
32	31/32	34/35	50.5	12.7	21.5	28.6
40	37/38	40/41	50.5	12.7	21.5	28.6
50	49/50	52/53	64	12.7	21.5	28.6
65	66	70	91	12.7	21.5	28.6
80	81	85	106	12.7	21.5	28.6
100	100	104	119	15.8	21.5	28.6
125	125	129	155	15.8	21.5	28.6
150	150	154	183	15.8	21.5	28.6
200	200	204	233.5	15.8	21.5	28.6

ISO Ferrule | ISO-14WMP/14MMP/14AMP



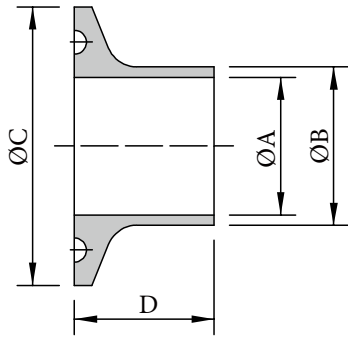
SIZE	A	B	C	D		
				14WMP	14MMP	14AMP
10.2	7.0	10.2	34.0	12.7	21.5	28.6
13.5	10.3	13.5	34.0	12.7	21.5	28.6
17.2	14	17.2	34.0	12.7	21.5	28.6
21.3	18.1	21.3	34.0	12.7	21.5	28.6
26.9	23.7	26.9	50.5	12.7	21.5	28.6
33.7	29.7	33.7	77.5	12.7	21.5	28.6
42.4	38.4	42.4	50.5	12.7	21.5	28.6
48.3	44.3	48.3	64.0	12.7	21.5	28.6
60.3	56.3	60.3	77.5	12.7	21.5	28.6
76.1	71.5	76.1	91.0	12.7	21.5	28.6
88.9	84.3	88.9	106.0	12.7	21.5	28.6
114.3	109.1	114.3	130.0	15.8	21.5	28.6
139.7	134.5	139.7	155.0	15.8	21.5	28.6
168.3	163.1	168.3	183.0		21.5	28.6
219.1	213.9	219.1	233.5		21.5	28.6

GB Ferrule | GB-14WMP/14MMP/14AMP



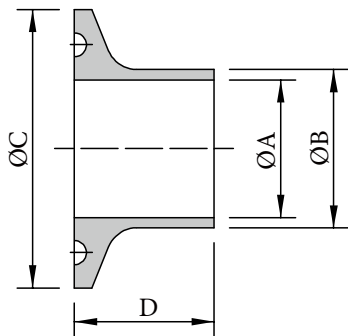
SIZE	A	B	C	D		
				14WMP	14MMP	14AMP
25	22	25	50.5	12.7	21.5	28.6
32	29	32	50.5	12.7	21.5	28.6
38	35	38	50.5	12.7	21.5	28.6
45	41	45	64.0	12.7	21.5	28.6
57	53	57	77.5	12.7	21.5	28.6
76	72	76	91.0	12.7	21.5	28.6
89	85	89	106	12.7	21.5	28.6
108	104	108	119	15.8	21.5	28.6

ISO Ferrule | ISO2852-14WMP/14MMP/14AMP



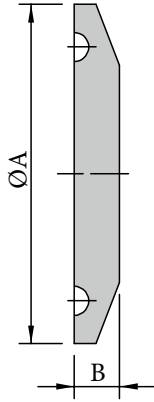
SIZE	A	B	C	D		
				14WMP	14MMP	14AMP
25	22.6	25.6	50.5	12.7	21.5	28.6
33.7	30.7	33.7	50.5	12.7	21.5	28.6
38	35.6	38.6	50.5	12.7	21.5	28.6
40	37.6	40.6	64	12.7	21.5	28.6
51	48.6	51.6	64	12.7	21.5	28.6
63.5	60.3	63.5	77.5	12.7	21.5	28.6
70	66.8	70.6	91	12.7	21.5	28.6
76.1	72.9	76.7	91	12.7	21.5	28.6
88.9	84.9	89.8	106	12.7	21.5	28.6

BS Ferrule | BS-14WMP/14MMP/14AMP



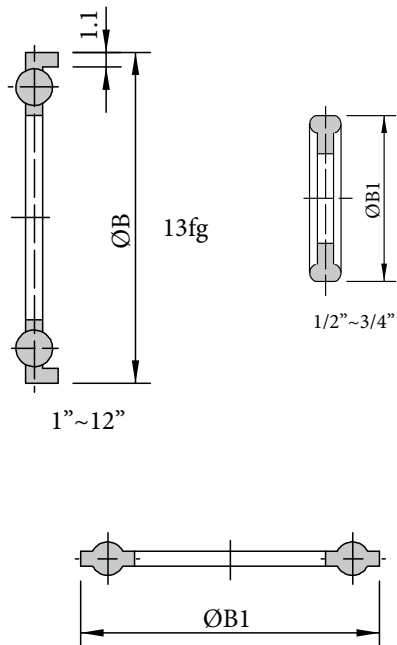
SIZE	A	B	C	D		
				14WMP	14MMP	14AMP
25.4	22.2	25.4	50.5	12.7	21.5	28.6
38.1	34.9	38.1	50.5	12.7	21.5	28.6
50.8	47.6	50.8	64	12.7	21.5	28.6
63.5	60.3	63.5	77.5	12.7	21.5	28.6
76.2	73	76.2	91.0	12.7	21.5	28.6
101.6	97.6	101.6	119	15.8	21.5	28.6

Blank ferrule | DIN/3A/SMS-16AMP



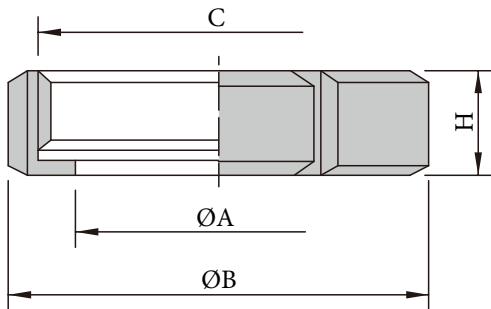
3A	SIZE		A	B	
	DIN	ISO1227			
1/2"~3/4"			25.2	6.4	
	DN10~DN20	DN17.2~21.3	34	6.4	
1"~1-1/2"	DN25~DN40	DN26.9~42.4	50.5	6.4	
2"	DN50	48.3	64.0	6.4	
2-1/2"		60.3	77.5	6.4	
3"	DN65	76.1	91.0	6.4	
4"	DN80	88.9	106.0	7.9	
	DN100		119.0	7.9	
		114.3	130.0	7.9	
	DN125	139.7	155.0	11.1	
6"			166.8	11.1	
	DN150	168.3	183.0	11.1	
8"			217.7	11.1	
	DN200	219.1	233.5	11.1	
10"			268.5	11.1	
12"			319.3	11.1	

Seal ring | 3A/DIN/ISO1127



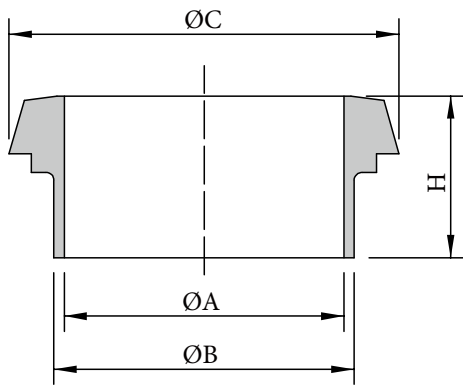
3A	SIZE		B	B1	SIZE
	DIN	ISO1227			
1/2"~3/4"				21.8	
	DN10~DN20	10.2~21.3	36.2	34	
1.5"	DN25~DN40	26.9~42.4	52.7	50.5	
2"	DN50	48.3	66.2	64	
2.5"		60.3	79.7	77.5	
3"	DN65	76.1	93.2	91	
4"	DN80	88.9	108.2	106	
	DN100		121.2	119	
4.5"		114.3	132.2	130	
	DN125	139.7	157.2	155	
6"			169	166.8	
	DN150	168.3	185.2	183	
8"			219.9	217.7	
	DN200	219.1	235.7	233.5	
10"	DN250		270.7	268.5	
12"	DN300		321.5	319.3	

DIN-13 | Nut



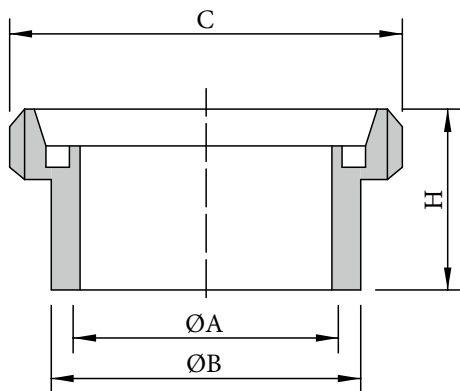
SIZE	A	B	C	H		
10	19	38	Rd28X1/8"	18		
15	25	44	Rd34X1/8"	18		
20	31	54	Rd44X1/6"	20		
25	36	63	Rd52X1/6"	21		
32	42.5	70	Rd58X1/6"	21		
40	49	78	Rd65X1/6"	21		
50	62	92	Rd78X1/6"	22		
65	80	112	Rd95X1/6"	25		
75	86.5	120	Rd104X1/4"	26		
80	94	127	Rd110X1/4"	29		
100	115	138	Rd130X1/4"	31		
125	138	178	Rd160X1/4"	35		
150	164	210	Rd190X1/4"	40		

DIN-14 | Welding liner



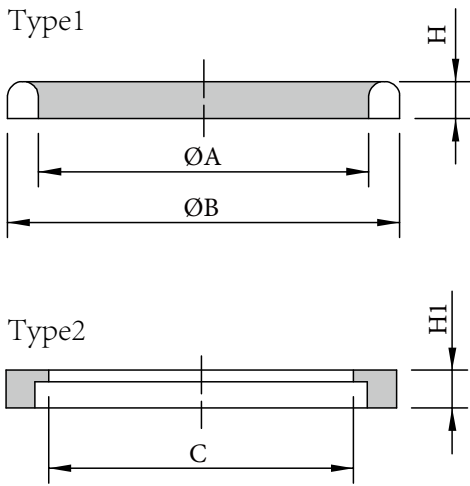
SIZE	A	B	C	H		
10	10	15	22.5	17		
15	16	21	28.5	17		
20	20	25	36.5	18		
25	26	31	44	22		
32	32	37	50	25		
40	38	43	56	26		
50	50	55	68.5	28		
65	66	72	86	32		
80	81	87	100	37		
100	100	106	121	44		
125	125	132	150	34		
150	150	157	176	37		

DIN-15 | Welding male



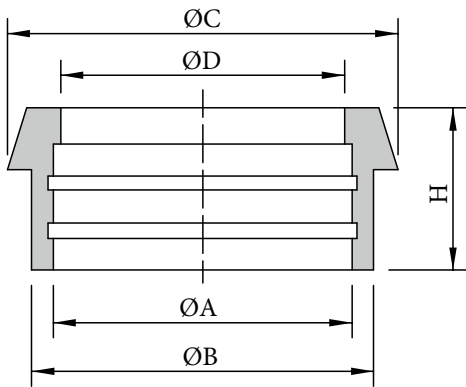
SIZE	A	B	C	H		
10	10	15	Rd28X1/8"	21		
15	16	21	Rd34X1/8"	21		
20	20	25	Rd44X1/6"	24		
25	26	31	Rd52X1/6"	29		
32	32	37	Rd58X1/6"	32		
40	38	43	Rd65X1/6"	33		
50	50	55	Rd78X1/6"	35		
65	66	72	Rd95X1/6"	40		
80	81	87	Rd110X1/4"	45		
100	100	106	Rd130X1/4"	54		
125	125	132	Rd160X1/4"	46		
150	150	157	Rd190X1/4"	50		

Sealing ring |



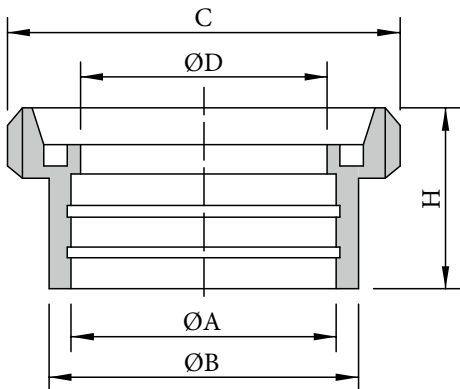
SIZE	A	B	C	H	H1	
10	12	20	10.2	4.5	5	
15	18	26	16.2	4.5	5	
20	23	33	20.2	4.5	5	
25	30	40	26.2	5	6	
32	36	46	32.2	5	6	
40	42	52	38.2	5	6	
50	54	64	50.2	5	6	
65	71	81	66.2	5	6	
80	85	95	81.2	5	6	
100	104	114	100.2	6	6	
125	130	142	125.2	7	7	
150	155	167	150.2	7	7	

DIN-14R | Expanding liner



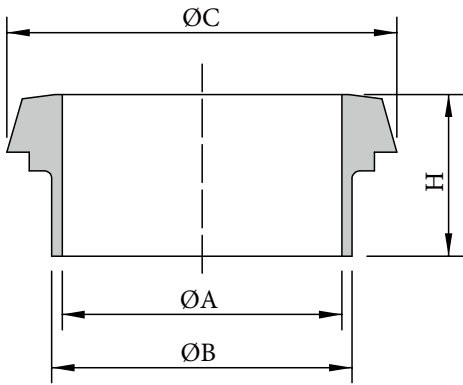
SIZE	A	B	C	D	H	
10	12.2	18	22.5	10	17	
15	18.2	24	28.5	16	17	
20	22.2	30	36.5	20	18	
25	28.2	35	44	26	22	
32	34.2	41	50	32	25	
40	40.2	48	56	38	26	
50	52.2	61	68.5	50	28	
65	70.3	79	86	66	32	
80	85.3	93	100	81	37	
100	104.3	114	121	100	44	
101.6	101.8	114	121	100	54	
125	129.3	137	150	125	34	
150	154.3	163	176	150	37	

DIN-15R | Expanding male



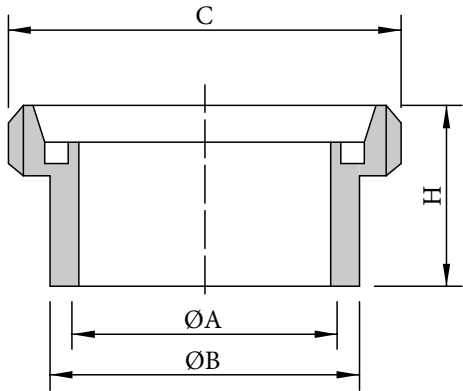
SIZE	A	B	C	D	H	
10	12.2	18	Rd28X1/8"	10	21	
15	18.2	24	Rd34X1/8"	16	21	
20	22.2	30	Rd44X1/6"	20	24	
25	28.2	35	Rd52X1/6"	26	29	
32	34.2	41	Rd58X1/6"	32	32	
40	40.2	48	Rd65X1/6"	38	33	
50	52.2	61	Rd78X1/6"	50	35	
65	70.3	79	Rd95X1/6"	66	40	
80	85.3	93	Rd110X1/4"	81	45	
100	104.3	114	Rd130X1/4"	100	54	
101.6	101.8	114	Rd130X1/4"	100	54	
125	129.3	137	Rd160X1/4"	125	46	
150	154.3	163	Rd190X1/4"	150	50	

DN14-H | Welding liner



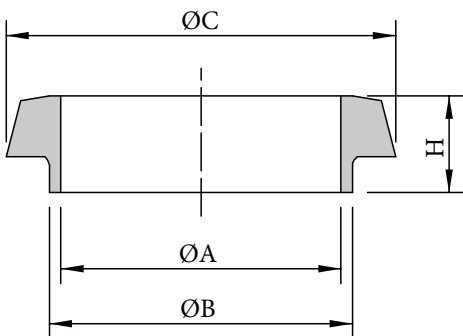
SIZE	A	B	C	H		
10	10	13	22.5	17		
15	16	19	28.5	17		
20	20	23	36.5	18		
25	26	29	44	22		
32	32	35	50	25		
40	38	41	56	26		
50	50	53	68.5	28		
65	66	70	86	32		
80	81	85	100	37		
100	100	104	121	44		
125	125	129	150	34		
150	150	154	176	37		

DIN-15H | Welding male



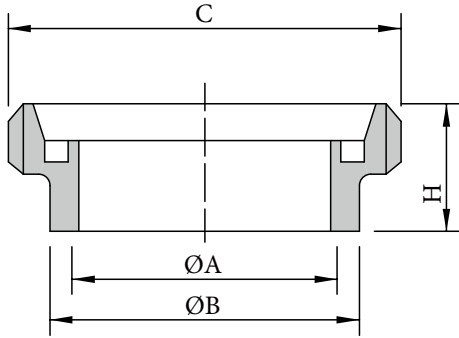
SIZE	A	B	C	H		
10	10	13	Rd28X1/8"	21		
15	16	19	Rd34X1/8"	21		
20	20	23	Rd44X1/6"	24		
25	26	29	Rd52X1/6"	29		
32	32	35	Rd58X1/6"	32		
40	38	41	Rd65X1/6"	33		
50	50	53	Rd78X1/6"	35		
65	66	70	Rd95X1/6"	40		
80	81	85	Rd110X1/4"	45		
100	100	104	Rd130X1/4"	54		
125	125	129	Rd160X1/4"	46		
150	150	154	Rd190X1/4"	50		

DIN-14S | Welding liner



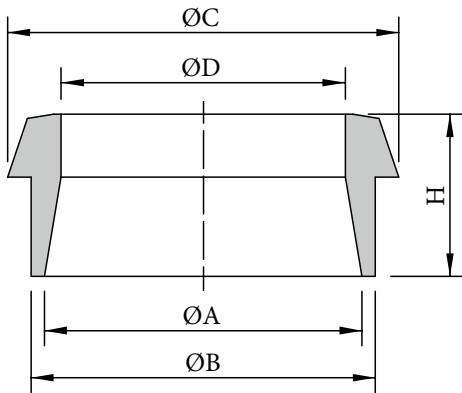
SIZE	A	B	C	H		
10	10	13	22.5	13		
15	16	19	28.5	13		
20	20	23	36.5	13		
25	26	29	44	15		
32	32	35	50	15		
40	38	41	56	15		
50	50	53	68.5	16		
65	66	70	86	17		
80	81	85	100	17		
100	100	104	121	20		
125	125	129	150	23.5		
150	150	154	176	27		

DIN-15S | Welding male



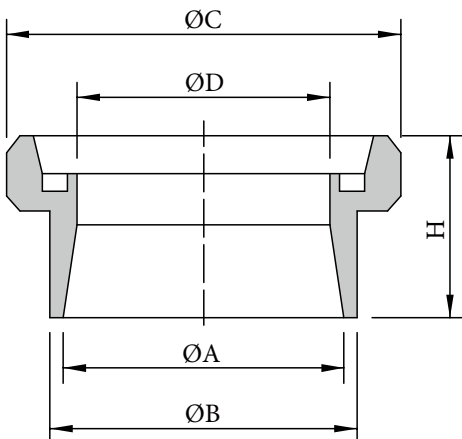
SIZE	A	B	C	H		
10	10	13	Rd28X1/8"	17		
15	16	19	Rd34X1/8"	17		
20	20	23	Rd44X1/6"	19		
25	26	29	Rd52X1/6"	22		
32	32	35	Rd58X1/6"	22		
40	38	41	Rd65X1/6"	22		
50	50	53	Rd78X1/6"	23		
65	66	70	Rd95X1/6"	25		
80	81	85	Rd110X1/4"	25		
100	100	104	Rd130X1/4"	30		
125	125	129	Rd160X1/4"	35.5		
150	150	154	Rd190X1/4"	40		

DIN-ISO | Welding liner



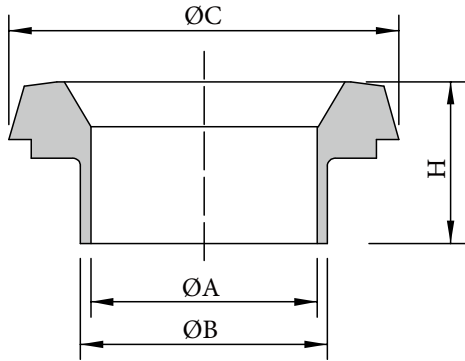
SIZE	A	B	C	D	H	
10	14	17.2	22.5	10	21	
15	18.1	21.3	28.5	16	21	
20	23.7	26.9	36.5	20	24	
25	29.7	33.7	44	26	29	
32	38.4	42.4	50	32	32	
40	44.3	48.3	56	38	33	
50	56.3	60.3	68.5	50	35	
65	71.5	76.1	86	66	40	
80	84.3	88.9	100	81	45	
100	109.1	114.3	121	100	54	
125	134.5	139.7	150	125	46	
150	163.1	168.3	176	150	50	

DIN-ISO | Welding male



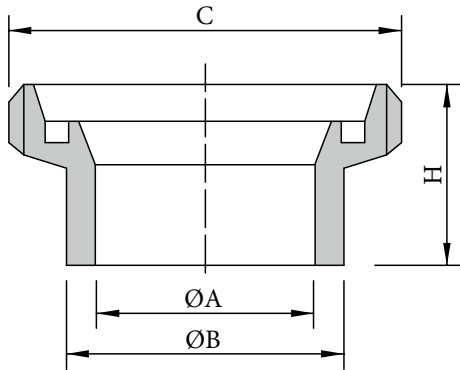
SIZE	A	B	C	D	H	
10	14	17.2	Rd28X1/8"	10	21	
15	18.1	21.3	Rd34X1/8"	16	21	
20	23.7	26.9	Rd44X1/6"	20	24	
25	29.7	33.7	Rd52X1/6"	26	29	
32	38.4	42.4	Rd58X1/6"	32	32	
40	44.3	48.3	Rd65X1/6"	38	33	
50	56.3	60.3	Rd78X1/6"	50	35	
65	71.5	76.1	Rd95X1/6"	66	40	
80	84.3	88.9	Rd110X1/4"	81	45	
100	109.1	114.3	Rd130X1/4"	100	54	
125	134.5	139.7	Rd160X1/4"	125	46	
150	163.1	168.3	Rd190X1/4"	150	50	

DIN-INCH | Welding liner



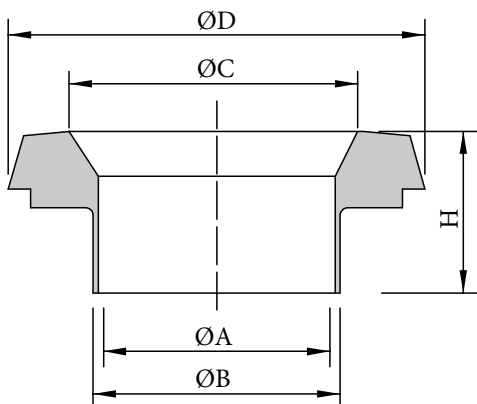
SIZE	A	B	C	H		
1/2"	9.4	12.7	22.5	17		
3/4"	15.75	19.05	28.5	17		
1"	22.1	25.4	36.5	18		
1-1/4"	28.45	31.75	44	22		
1-1/2"	34.8	38.1	50	25		
2"	47.5	50.8	68.5	28		
2-1/2"	60.2	63.5	86	32		
3"	72.9	76.2	100	37		
4"	97.38	101.6	121	44		
5"	121.46	127.0	150	34		
6"	146.86	152.4	176	37		

DIN-INCH | Welding male



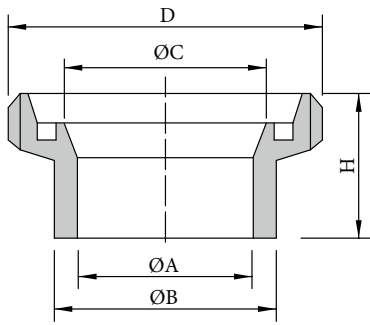
SIZE	A	B	C	H		
1/2"	9.4	12.7	Rd28X1/8"	21		
3/4"	15.75	19.05	Rd34X1/8"	21		
1"	22.1	25.4	Rd52X1/6"	29		
1-1/4"	28.45	31.75	Rd58X1/6"	32		
1-1/2"	34.8	38.1	Rd65X1/6"	33		
2"	47.5	50.8	Rd78X1/6"	35		
2-1/2"	60.2	63.5	Rd95X1/6"	40		
3"	72.9	76.2	Rd110X1/4"	45		
4"	97.38	101.6	Rd130X1/4"	54		
5"	121.46	127.0	Rd160X1/4"	46		
6"	146.86	152.4	Rd190X1/4"	50		

DIN-14RL | Reducing welding liner



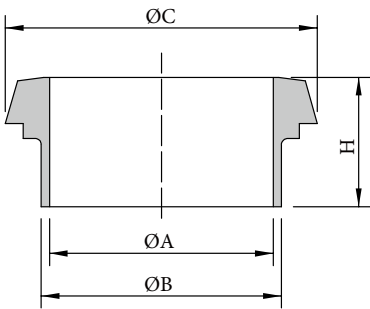
SIZE	A	B	C	D	H	
32-25	26	29	32	50	20	
40-25	26	29	38	56	20	
40-32	32	35	38	56	23	
50-32	32	35	50	68.5	23	
50-40	38	41	50	68.5	26	
65-40	38	41	50	86	26	
65-50	50	53	66	86	27	
80-50	50	53	81	100	30	
80-65	66	70	81	100	31	
100-65	66	70	100	121	40	
100-80	81	85	100	121	42	

DIN-15RM | Reducing welding male



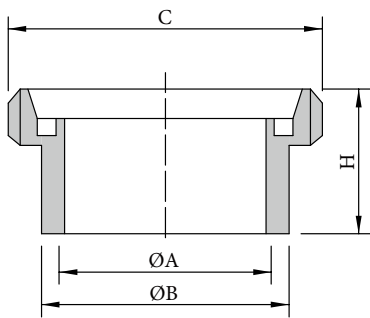
SIZE	A	B	C	D	H
32-25	26	29	32	Rd58X1/6"	27
40-25	26	29	38	Rd65X1/6"	28
40-32	32	35	38	Rd65X1/6"	25
50-32	32	35	50	Rd78X1/6"	29
50-40	38	41	60	Rd78X1/6"	35
65-40	38	41	66	Rd95X1/6"	39
65-50	50	53	66	Rd95X1/6"	40
80-50	50	53	81	Rd110X1/4"	45
80-65	66	70	81	Rd110X1/4"	46
100-65	66	70	100	Rd130X1/4"	55
100-80	81	85	100	Rd130X1/4"	49

DIN-14P | Welding liner



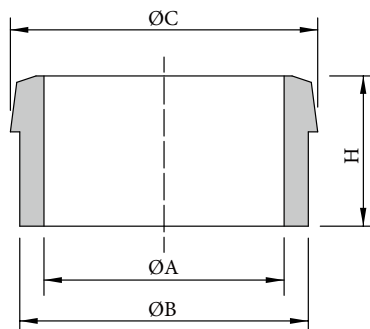
SIZE	A	B	C	H
10	9	12	22.5	17
15	15	18	28.5	17
20	19	22	36.5	18
25	25	28	44	22
32	31	34	50	25
40	37	40	56	26
50	49	52	68.5	28

DIN-15P | Reducing welding male



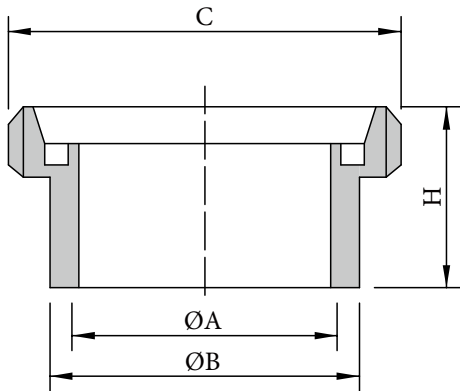
SIZE	A	B	C	H
10	9	12	Rd28X1/8"	21
15	15	18	Rd34X1/8"	21
20	19	22	Rd44X1/6"	24
25	25	28	Rd52X1/6"	29
32	31	34	Rd58X1/6"	32
40	37	41	Rd65X1/6"	33
50	49	52	Rd78X1/6"	35

DIN-14T | Thickening liner



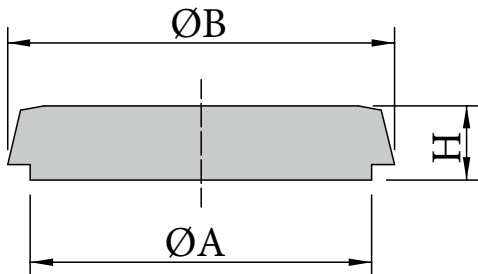
SIZE	A	B	C	H
10	10	18	22.5	17
15	16	24	28.5	17
20	20	30	36.5	18
25	26	35	44	22
32	32	41	50	25
40	38	48	56	26
50	50	61	68.5	28
65	66	79	86	32
80	81	93	100	37
100	100	114	121	44

DIN-14T | Thickening liner



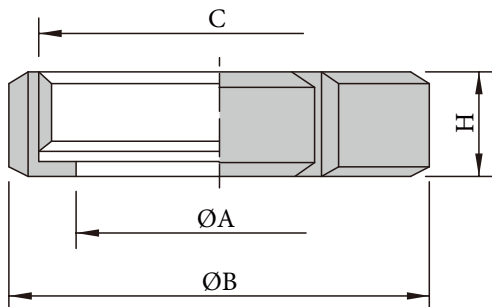
SIZE	A	B	C	H		
10	10	18	Rd28X1/8"	21		
15	16	24	Rd34X1/8"	21		
20	20	30	Rd44X1/6"	24		
25	26	35	Rd52X1/6"	29		
32	32	41	Rd58X1/6"	32		
40	38	48	Rd65X1/6"	33		
50	50	61	Rd78X1/6"	35		
65	66	79	Rd95X1/6"	40		
80	81	93	Rd110X1/4"	45		
100	100	114	Rd130X1/4"	54		

DIN-14B | Blank liner



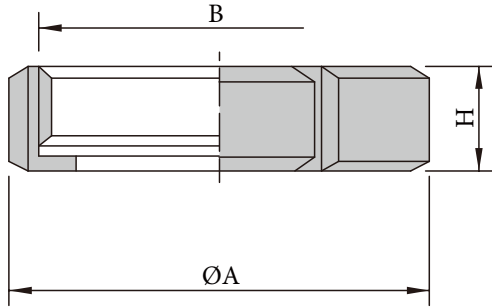
SIZE	A	B	H			
10	18	22.5	9			
15	24	28.5	9			
20	30	36.5	11			
25	35	44	13			
32	41	50	13			
40	48	56	13			
50	61	68.5	14			
65	79	86	16			
80	93	100	16			
100	114	121	20			
125	137	150	22			
150	163	176	24			

DIN-13RS | Nut



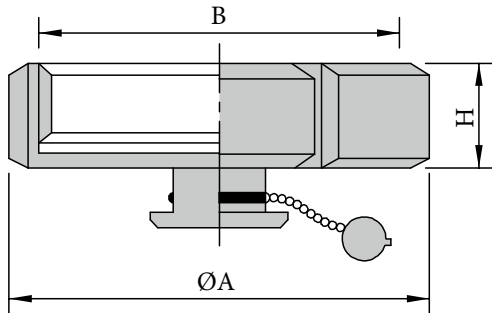
SIZE	A	B	C	H		
10	19	36	Rd28X1/8"	18		
15	25	42	Rd34X1/8"	18		
20	31	52	Rd44X1/6"	20		
25	36	61	Rd52X1/6"	21		
32	42.5	68	Rd58X1/6"	21		
40	49	76	Rd65X1/6"	21		
50	62	90	Rd78X1/6"	22		
65	80	108	Rd95X1/6"	25		
80	94	125	Rd110X1/4"	29		
100	115	145	Rd130X1/4"	30		

DIN-13RB | Blank nut



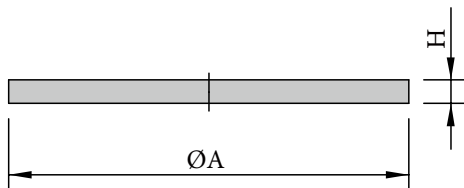
SIZE	A	B	H			
10	38	Rd28X1/8"	18			
15	44	Rd34X1/8"	18			
20	54	Rd44X1/6"	20			
25	63	Rd52X1/6"	21			
32	70	Rd58X1/6"	21			
40	78	Rd65X1/6"	21			
50	92	Rd78X1/6"	22			
65	112	Rd95X1/6"	25			
80	127	Rd110X1/4"	29			
100	148	Rd130X1/4"	31			
125	178	Rd160X1/4"	35			
150	210	Rd190X1/4"	40			

DIN-13RBN | Blank nut with boss



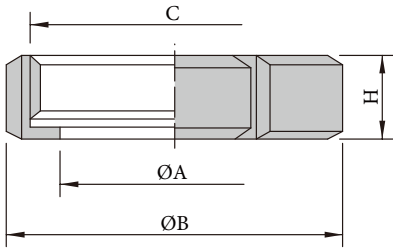
SIZE	A	B	H			
10	38	Rd28X1/8"	25			
15	44	Rd34X1/8"	25			
20	54	Rd44X1/6"	27			
25	63	Rd52X1/6"	28			
32	70	Rd58X1/6"	28			
40	78	Rd65X1/6"	28			
50	92	Rd78X1/6"	29			
65	112	Rd95X1/6"	32			
80	127	Rd110X1/4"	36			
100	148	Rd130X1/4"	38			
125	178	Rd160X1/4"	42			
150	210	Rd190X1/4"	47			

Plate seal



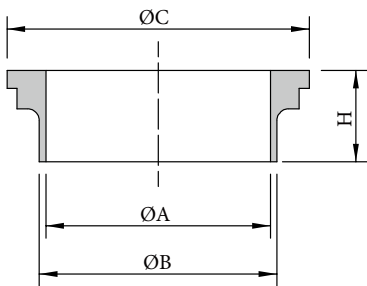
SIZE	A	H	H(PTFE)			
10	28	3	1.5			
15	34	3	1.5			
20	44	3	1.5			
25	52	3	1.5			
32	58	3	1.5			
40	65	3	1.5			
50	78	3	1.5			
65	95	3	1.5			
80	110	3	1.5			
100	130	3	1.5			
125	160	3	1.5			
150	190	3	1.5			

SMS-13 | Nut



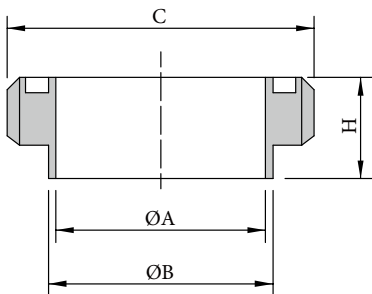
SIZE	A	B	C	H		
25	32	51	Rd40X1/6"	20		
32	40.5	60	Rd48X1/6"	22		
38	48	74	Rd60X1/6"	25		
51	61	84	Rd70X1/6"	26		
63.5	74	100	Rd85X1/6"	30		
76	87	114	Rd98X1/6"	32		
101.6(Max)	117	154	Rd132X1/6"	45		
101.6(Min)	113	140	Rd125X1/4"	32		

SMS-14 | Welding liner



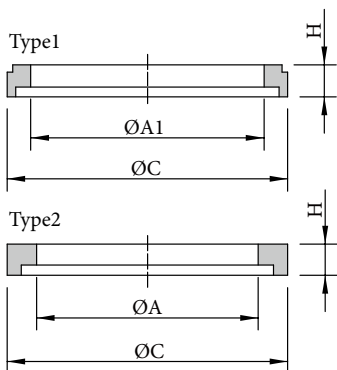
SIZE	A	B	C	H		
25	22.5	25	35.5	15		
32	29.5	32	43.5	15		
38	35.5	38	55	20		
51	48.5	51	65	20		
63.5	60.5	63.5	80	24		
76	72.9	76.1	93	24		
101.6(Max)	97.6	101.6	127	30		
101.6(Min)	97.6	101.6	118	30		

SMS-15 | Welding male



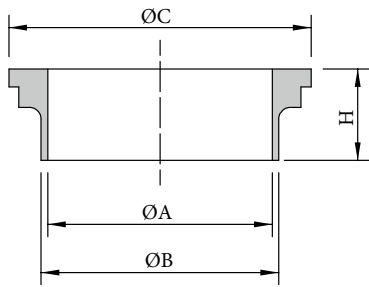
SIZE	A	B	C	H		
25	22.5	25	Rd40X1/6"	19		
32	29.5	32	Rd48X1/6"	19		
38	35.5	38	Rd60X1/6"	23		
51	48.5	51	Rd70X1/6"	23		
63.5	60.5	63.5	Rd85X1/6"	27		
76	72.9	76.1	Rd98X1/6"	27		
101.6(Max)	97.6	101.6	Rd132X1/6"	35		
101.6(Min)	97.6	101.6	Rd125X1/4"	30		

Seal ring |



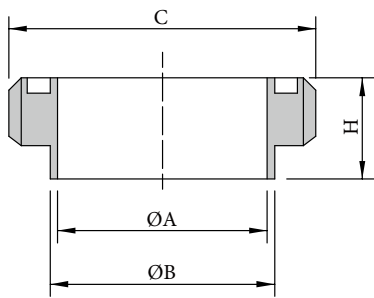
SIZE	A	A1	C	H		
25	25	22.7	31.8	5.3		
32	32	29.7	39.8	5.3		
38	38	35.7	47.8	5.3		
51	51	45.5	60.8	5.3		
63.5	63.5	60.7	73.2	5.3		
76	76	72.3	85.8	5.3		
101.6	101.6	97.8	103.8	5.3		

SMS-14S | Welding liner



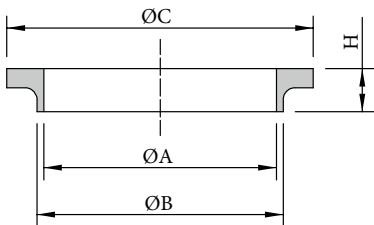
SIZE	A	B	C	H		
25	22.5	25	35.5	10		
32	29.5	32	43.5	10		
38	35.5	38	55	11		
51	48.5	51	65	13		
63.5	60.5	63.5	80	13		
76	72.9	76.1	93	14		
101.6(Max)	97.6	101.6	127	16		
101.6(Min)	97.6	101.6	118	16		

SMS-15S | Welding male



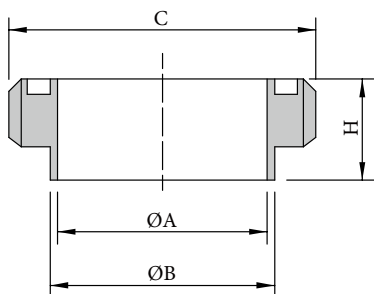
SIZE	A	B	C	H		
25	22.5	25	Rd40X1/6"	15		
32	29.5	32	Rd48X1/6"	15		
38	35.5	38	Rd60X1/6"	20		
51	48.5	51	Rd70X1/6"	20		
63.5	60.5	63.5	Rd85X1/6"	24		
76	72.9	76.1	Rd98X1/6"	24		
101.6(Max)	97.6	101.6	Rd132X1/6"	28		
101.6(Min)	97.6	101.6	Rd125X1/4"	28		

SMS-14SS | Welding liner



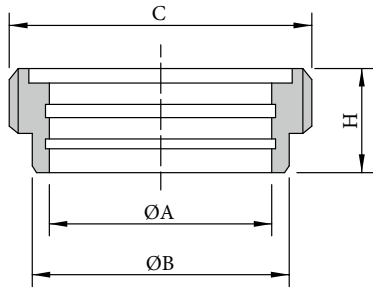
SIZE	A	B	C	H		
25	22.5	25	35.5	7.5		
32	29.5	32	43.5	7.5		
38	35.5	38	55	9		
51	48.5	51	65	9		
63.5	60.5	63.5	80	9		
76	72.9	76.1	93	10		
101.6(Max)	97.6	101.6	127	12		
101.6(Min)	97.6	101.6	118	12		

SMS-15SS | Short welding male



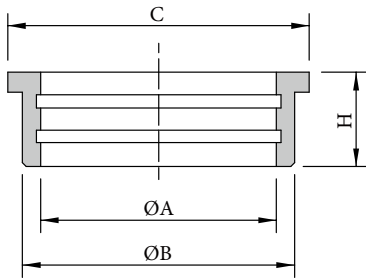
SIZE	A	B	C	H		
25	22.5	25	Rd40X1/6"	15		
32	29.5	32	Rd48X1/6"	15		
38	35.5	38	Rd60X1/6"	18		
51	48.5	51	Rd70X1/6"	20		
63.5	60.5	63.5	Rd85X1/6"	20		
76	72.9	76.1	Rd98X1/6"	21		
106	97.6	101.6	Rd125X1/4"	26		

SMS-15R | Expanding male



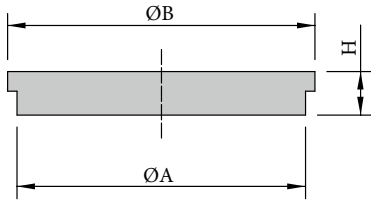
SIZE	A	B	C	H		
25	25.2	31.5	Rd40X1/6"	19		
32	32.2	40	Rd48X1/6"	19		
38	38.2	47.5	Rd60X1/6"	23		
51	51.2	60	Rd70X1/6"	23		
63.5	63.7	73.5	Rd85X1/6"	27		
76	76.3	86.5	Rd98X1/6"	27		
101.6(Max)	101.8	116.5	Rd132X1/6"	35		
101.6(Min)	101.8	112.5	Rd125X1/4"	30		

SMS-14R | Expanding liner



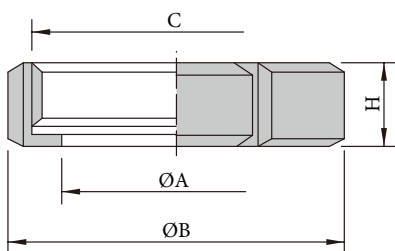
SIZE	A	B	C	H		
25	25.2	31.5	35.5	15		
32	32.2	40	43.5	15		
38	38.2	47.5	55	20		
51	51.2	60	65	20		
63.5	63.7	73.5	80	24		
76	76.3	86.5	93	24		
101.6(Max)	101.8	116.5	127	27		
101.6(Min)	101.8	112.5	118	27		

SMS-14B | Blank liner



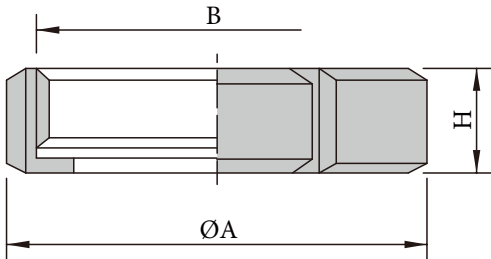
SIZE	A	B	H			
25	31.5	35.5	7.5			
32	40	43.5	8			
38	47.5	55	8			
51	60	65	8			
63.5	73.5	80	9			
76	86.5	93	11			
101.6(Max)	116.5	127	12			
101.6(Min)	112.5	118	12			

SMS-13RS | Nut



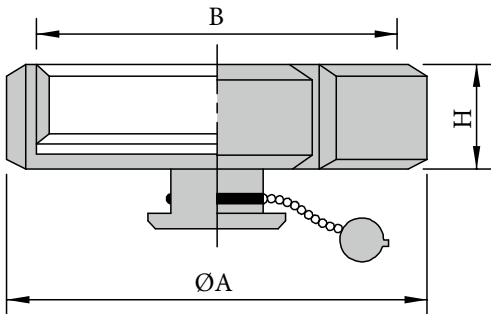
SIZE	A	B	C	H		
25	32.3	50	Rd40X1/6"	18		
32	40.3	58	Rd48X1/6"	18		
38	48.5	72	Rd60X1/6"	21		
51	60.5	82	Rd70X1/6"	23		
63.5	74	98	Rd85X1/6"	23		
76	87	111	Rd98X1/6"	26		
101.6	113	138	Rd125X1/4"	30		

SMS-13RB | Blank nut



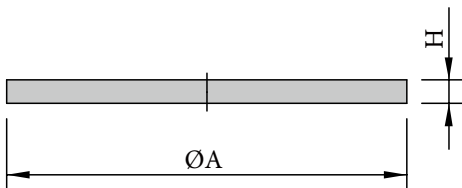
SIZE	A	B	H			
25	51	Rd40X1/6"	20			
32	60	Rd48X1/6"	22			
38	74	Rd60X1/6"	25			
51	84	Rd70X1/6"	26			
63.5	100	Rd85X1/6"	30			
76	114	Rd98X1/6"	32			
101.6(Max)	154	Rd132X1/6"	45			
101.6(Min)	140	Rd125X1/4"	32			

SMS-13RBN | Blank nut with boss



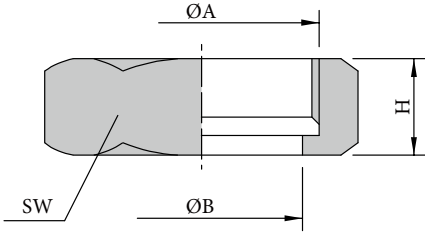
SIZE	A	B	H			
25	51	Rd40X1/6"	27			
32	60	Rd48X1/6"	29			
38	74	Rd60X1/6"	32			
51	84	Rd70X1/6"	33			
63.5	100	Rd85X1/6"	37			
76	114	Rd98X1/6"	39			
101.6(Max)	154	Rd132X1/6"	52			
101.6(Min)	140	Rd125X1/4"	39			

Plate seal



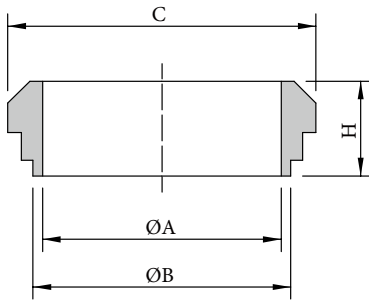
SIZE	A	H	H(PTFE)			
25	40	3	1.5			
32	48	3	1.5			
38	60	3	1.5			
51	70	3	1.5			
63.5	85	3	1.5			
76	98	3	1.5			
101.6	125	3	1.5			

3A-13H | Hexagonal nut



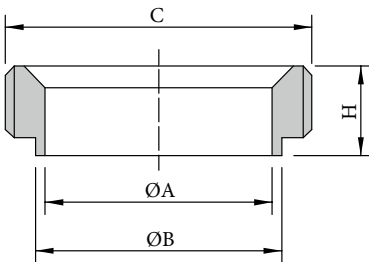
SIZE	A	B	H	SW		
1"	38.02x8TPI ACME	30.3	23	46		
1.5"	51.54x8TPI ACME	43.4	24.6	61.1		
2"	65.05x8TPI ACME	56.5	27	76.2		
2.5"	78.56x8TPI ACME	69.6	29.6	91.3		
3"	92.08x8TPI ACME	82.7	32.5	106.4		
4"	120.14x6TPI ACME	108.9	38.1	137.6		

3A-14 | Welding liner



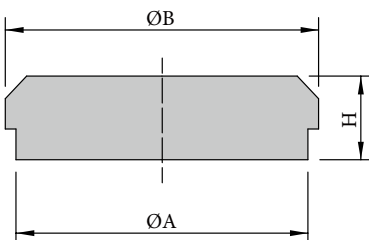
SIZE	A	B	C	H		
1"	22.1	25.4	33.3	18.2		
1.5"	34.8	38.1	46.9	18.2		
2"	47.5	50.8	60.5	19		
2.5"	60.2	63.5	74	22.2		
3"	72.9	76.2	87.5	23.1		
4"	97.38	101.6	114.5	26.2		

3A-15 | Welding male



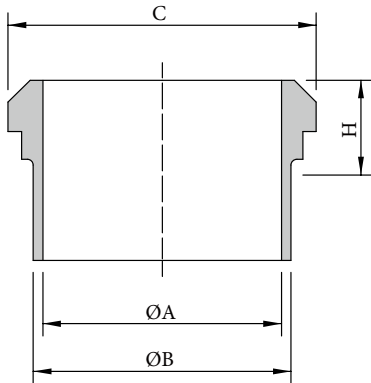
SIZE	A	B	C	H		
1"	22.1	25.4	37.13x8TPI ACME	18.3		
1.5"	34.8	38.1	50.65x8TPI ACME	18.3		
2"	47.5	50.8	64.16x8TPI ACME	19.1		
2.5"	60.2	63.5	77.67x8TPI ACME	22.2		
3"	72.9	76.2	91.19x8TPI ACME	23.1		
4"	97.38	101.6	119.25x6TPI ACME	26.2		

3A-14B | Blank liner



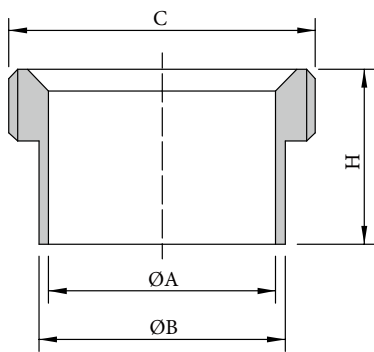
SIZE	A	B	H			
1"	22.1	33.3	11.9			
1.5"	34.8	46.9	14.3			
2"	47.5	60.5	15.9			
2.5"	60.2	74	16.7			
3"	72.9	87.5	18.3			
4"	97.38	114.5	20.6			

3A-14L | Welding liner



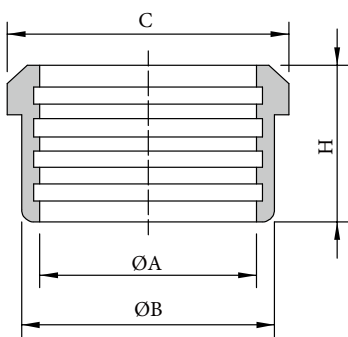
SIZE	A	B	C	H		
1"	22.1	25.4	33.3	34.9		
1.5"	34.8	38.1	46.9	38.1		
2"	47.5	50.8	60.5	38.1		
2.5"	60.2	63.5	74	44.5		
3"	72.9	76.2	87.5	44.5		
4"	97.38	101.6	114.5	44.5		

3A-15L | Welding male



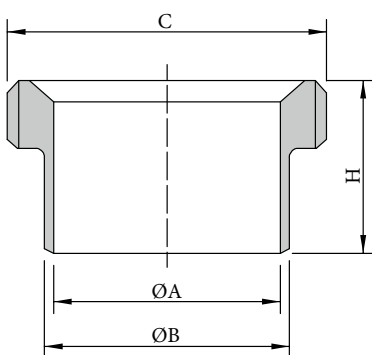
SIZE	A	B	C	H		
1"	22.1	25.4	37.13x8TPI ACME	34.9		
1.5"	34.8	38.1	50.65x8TPI ACME	38.1		
2"	47.5	50.8	64.16x8TPI ACME	38.1		
2.5"	60.2	63.5	77.67x8TPI ACME	44.5		
3"	72.9	76.2	91.19x8TPI ACME	44.5		
4"	97.38	101.6	119.25x6TPI ACME	44.5		

3A-14R | Expanding liner



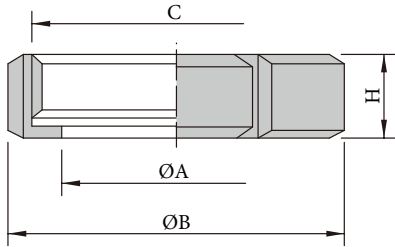
SIZE	A	B	C	H		
1"	25.5	29.5	33.3	19.1		
1.5"	38.2	42.6	46.9	28.6		
2"	50.9	55.7	60.5	33.3		
2.5"	63.6	68.8	74	34.9		
3"	76.3	81.9	87.5	36.5		
4"	101.7	108.1	114.5	38.1		

3A-15R | Expanding male



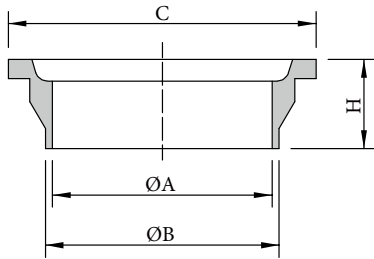
SIZE	A	B	C	H		
1"	25.5	29.5	37.13x8TPI ACME	20.6		
1.5"	38.2	42.6	50.65x8TPI ACME	28.6		
2"	50.9	55.7	64.16x8TPI ACME	34.9		
2.5"	63.6	68.8	77.67x8TPI ACME	38.1		
3"	76.3	81.9	91.19x8TPI ACME	41.3		
4"	101.7	108.1	119.25x6TPI ACME	41.3		

RJT-13R | Round nut



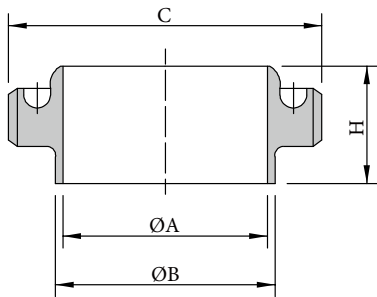
SIZE	A	B	C	H		
1"	33.3	58.5	42.266x8TPI WHIT	22.2		
1.5"	46	74	54.966x8TPI WHIT	22.2		
2"	58.7	85.5	67.920x6TPI WHIT	22.2		
2.5"	71.4	98.5	80.620x6TPI WHIT	22.2		
3"	84.1	111.6	93.320x6TPI WHIT	22.2		
4"	109.5	138	118.720x6TPI WHIT	22.2		

RJT-14 | Welding liner



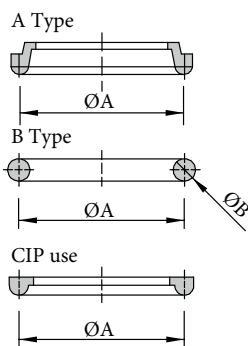
SIZE	A	B	C	H		
1"	22.2	25.4	41.3	19.5		
1.5"	34.9	38.1	54	19.5		
2"	47.6	50.8	66.7	19.5		
2.5"	60.3	63.5	79.4	19.5		
3"	73.0	76.2	92.1	19.5		
4"	97.6	101.6	117.5	19.5		

RJT-15 | Welding male



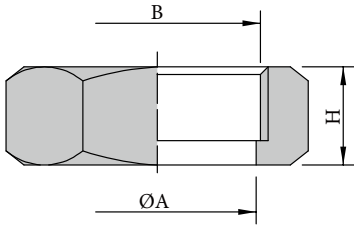
SIZE	A	B	C	H		
1"	22.2	25.4	45.72x8TPI WHIT	27		
1.5"	34.9	38.1	58.42x8TPI WHIT	27		
2"	47.6	50.8	72.72x6TPI WHIT	27		
2.5"	60.3	63.5	85.42x6TPI WHIT	27		
3"	73.0	76.2	98.12x6TPI WHIT	27		
4"	97.6	101.6	123.52x6TPI WHIT	27		

Seal ring |



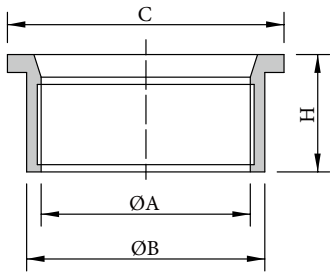
SIZE	A	B				
1"	33.3	6.4				
1.5"	46	6.4				
2"	58.7	6.4				
2.5"	71.4	6.4				
3"	84.1	6.4				
4"	109.5	6.4				

RJT-13H | Hexagonal nut



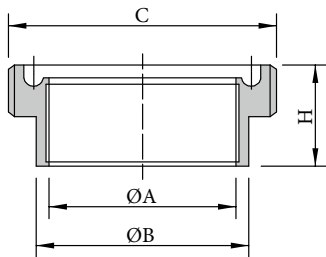
SIZE	A	B	H	SW		
1"	33.3	42.266x8TPI WHIT	22.2	50.8		
1.5"	46	54.966x8TPI WHIT	22.2	65		
2"	58.7	67.920x6TPI WHIT	22.2	79.4		
2.5	71.4	80.620x6TPI WHIT	22.2	92.1		
3"	84.1	93.320x6TPI WHIT	22.2	104.8		
4"	109.5	118.720x6TPI WHIT	22.2	130.2		

RJT-14R | Expanding liner



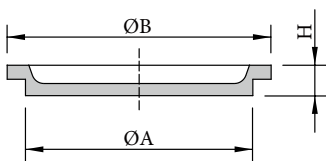
SIZE	A	B	C	H		
1"	25.7	32.5	41.3	20		
1.5"	38.4	45.2	54	24		
2"	51.2	57.9	66.7	28		
2.5	63.9	70.6	79.4	32		
3"	76.6	83.3	92.1	32		
4"	102	108.7	117.5	32		

RJT-15R | Expanding male



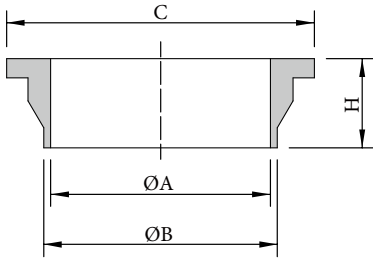
SIZE	A	B	C	H		
1"	25.7	32.5	45.72x8TPI WHIT	27		
1.5"	38.4	45.2	58.42x8TPI WHIT	27		
2"	51.2	57.9	72.72x6TPI WHIT	27		
2.5	63.9	70.6	85.42x6TPI WHIT	27		
3"	76.6	83.3	98.12x6TPI WHIT	27		
4"	102	108.7	123.52x6TPI WHIT	27		

RJT-14B | Blank liner



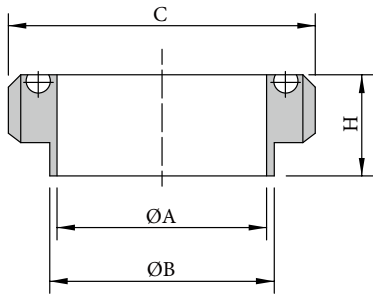
SIZE	A	B	H			
1"	32.5	41.3	8			
1.5"	45.2	54	8			
2"	57.9	66.7	8			
2.5	70.6	79.4	8			
3"	83.3	92.1	8			
4"	108.7	117.5	8			

CIP-14 | Flat welding liner



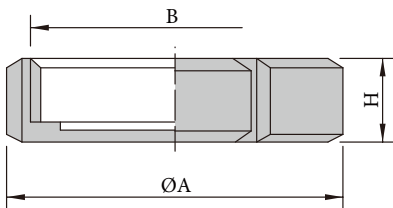
SIZE	A	B	C	H		
1"	22.2	25.4	41.3	19		
1.5"	34.9	38.1	54	19		
2"	47.6	50.8	66.7	19		
2.5	60.3	63.5	79.4	19		
3"	73.0	76.2	92.1	19		
4"	97.6	101.6	117.5	19		

CIP-15 | Flat welding male



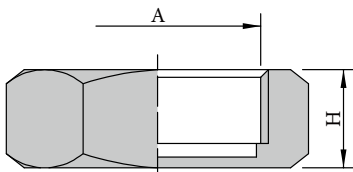
SIZE	A	B	C	H		
1"	22.2	25.4	45.72x8TPI WHIT	22		
1.5"	34.9	38.1	58.42x8TPI WHIT	22		
2"	47.6	50.8	72.72x6TPI WHIT	22		
2.5	60.3	63.5	85.42x6TPI WHIT	22		
3"	73.0	76.2	98.12x6TPI WHIT	22		
4"	97.6	101.6	123.52x6TPI WHIT	22		

RJT-13RB | blank nut



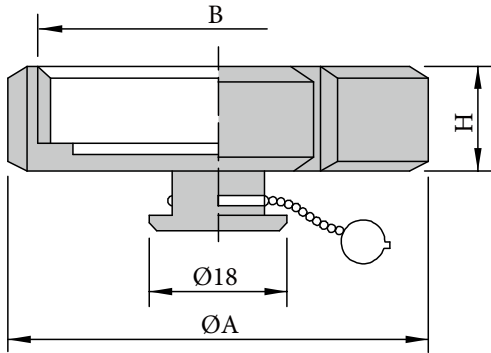
SIZE	A	B	H		
1"	58.5	42.266x8TPI WHIT	22.2		
1.5"	74	54.966x8TPI WHIT	22.2		
2"	85.5	67.920x6TPI WHIT	22.2		
2.5	98.5	80.620x6TPI WHIT	22.2		
3"	111.6	93.320x6TPI WHIT	22.2		
4"	138	118.720x6TPI WHIT	22.2		

RJT-13HB | Hexagonal blank nut



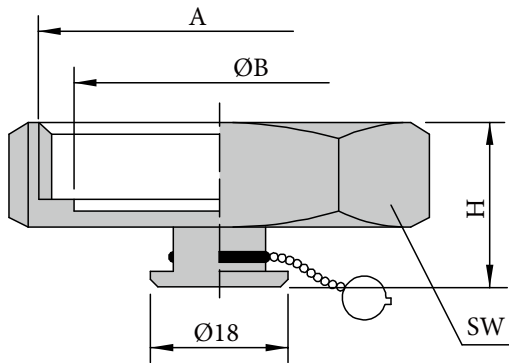
SIZE	A	H	SW		
1"	42.266x8TPI WHIT	22.2	50.8		
1.5"	54.966x8TPI WHIT	22.2	65		
2"	67.920x6TPI WHIT	22.2	79.4		
2.5	80.620x6TPI WHIT	22.2	92.1		
3"	93.320x6TPI WHIT	22.2	104.8		
4"	118.720x6TPI WHIT	22.2	130.2		

CIP-13RBN | Blank nut with boss



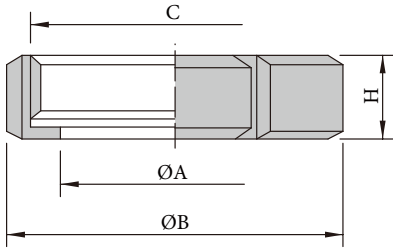
SIZE	A	B	H			
1"	58.5	42.266x8TPI WHIT	29.2			
1.5"	74	54.966x8TPI WHIT	29.2			
2"	85.5	67.920x6TPI WHIT	29.2			
2.5"	98.5	80.620x6TPI WHIT	29.2			
3"	111.6	93.320x6TPI WHIT	29.2			
4"	138	118.720x6TPI WHIT	29.2			

RJT-13HBN | Hexagonal blank nut with boss



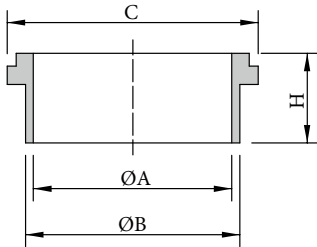
SIZE	A	B	H	SW		
1"	42.266x8TPI WHIT	27.81	29.2	50.8		
1.5"	54.966x8TPI WHIT	40.51	29.2	65		
2"	67.920x6TPI WHIT	53.21	29.2	79.4		
2.5"	80.620x6TPI WHIT	65.91	29.2	92.1		
3"	93.320x6TPI WHIT	78.61	29.2	104.8		
4"	118.720x6TPI WHIT	104.01	29.2	130.2		

IDF-13R | Nut



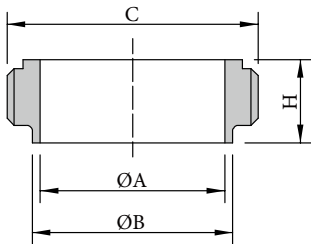
SIZE	A	B	C	H		
1"	30.5	44.5	34.34x8TPI ACME	30		
1.5"	43.5	57.2	47.86x8TPI ACME	30		
2"	57.0	70.0	61.37x8TPI ACME	30		
2.5"	71.7	86.0	74.88x8TPI ACME	30		
3"	83.3	102.0	88.40x8TPI ACME	30		
4"	112	133.0	122.05x6TPI ACME	35		

IDF-14 | Welding liner



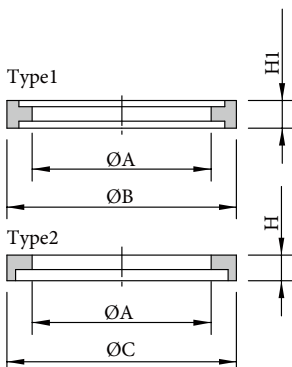
SIZE	A	B	C	H		
1"	22.2	25.4	33.8	21.5		
1.5"	34.9	38.1	47	21.5		
2"	47.6	50.8	60.5	21.5		
2.5"	60.3	63.5	74	21.5		
3"	73.0	76.2	87.5	21.5		
4"	97.6	101.6	120.6	30		

IDF-15 | Welding male



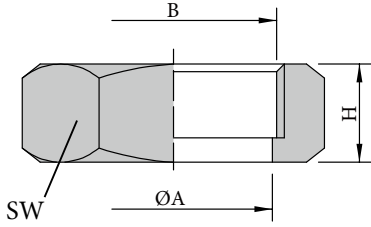
SIZE	A	B	C	H		
1"	22.2	25.4	37.13x8TPI ACME	21.5		
1.5"	34.9	38.1	50.65x8TPI ACME	21.5		
2"	47.6	50.8	64.16x8TPI ACME	21.5		
2.5"	60.3	63.5	77.67x8TPI ACME	21.5		
3"	73.0	76.2	91.19x8TPI ACME	21.5		
4"	97.6	101.6	125.9x6TPI ACME	30		

Seal ring |



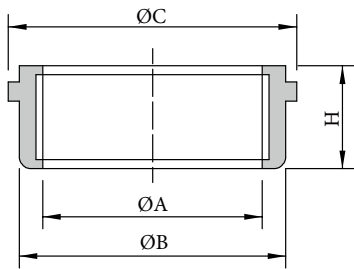
SIZE	A	B	C	H1	H	
1"	23.2	32.5	32.2	7	6	
1.5"	35.9	46	45.7	7	6	
2"	48.6	59.5	59.2	7	6	
2.5"	61.3	73.2	72.9	7	6	
3"	74	86.5	85.6	7	6	
4"	98.6	119	118	9.6	6	

IDF-13H | Hexagonal nut



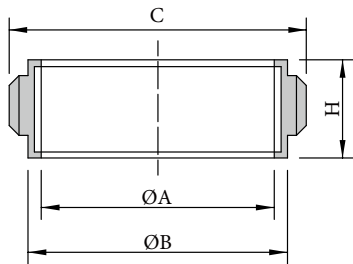
SIZE	A	B	H	SW		
1"	30.5	34.34x8TPI ACME	30	46		
1.5"	43.5	47.86x8TPI ACME	30	60		
2"	57.0	61.37x8TPI ACME	30	75		
2.5"	70.7	74.88x8TPI ACME	30	90		
3"	83.3	88.40x8TPI ACME	30	105		
4"	112	122.05x6TPI ACME	35	133		

IDF-14R | Expanding liner



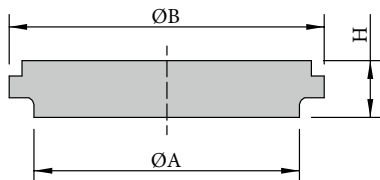
SIZE	A	B	C	H		
1"	25.7	29	33.8	20		
1.5"	38.4	42.5	47	20		
2"	51.2	56	60.5	20		
2.5"	63.9	69.7	74	25		
3"	76.6	82.3	87.5	30		
4"	102	111.1	120.6	30		

IDF-15R | Expanding male



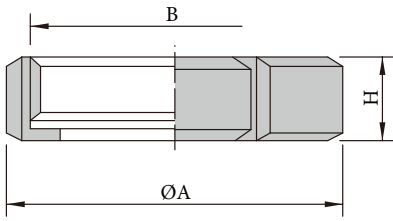
SIZE	A	B	C	H		
1"	25.7	29	37.13x8TPI ACME	21.5		
1.5"	38.4	42.5	50.65x8TPI ACME	21.5		
2"	51.2	56	64.16x8TPI ACME	21.5		
2.5"	63.9	69.7	77.67x8TPI ACME	21.5		
3"	76.6	82.3	91.19x8TPI ACME	21.5		
4"	102	111.1	125.9x6TPI ACME	30		

IDF-14B | Blank liner



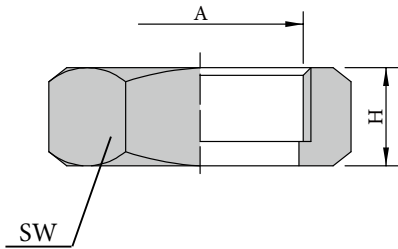
SIZE	A	B	H			
1"	29	33.8	10.5			
1.5"	42.5	47	10.5			
2"	56	60.5	10.5			
2.5"	69.7	74	10.5			
3"	82.3	87.5	10.5			
4"	111.1	120.6	10.5			

IDF-13RB | Blank nut



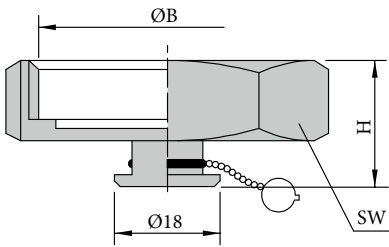
SIZE	A	B	H			
1"	44.5	34.34x8TPI ACME	30			
1.5"	57.2	47.86x8TPI ACME	30			
2"	71.0	61.37x8TPI ACME	30			
2.5"	86.0	74.88x8TPI ACME	30			
3"	102.0	88.40x8TPI ACME	30			
4"	133.0	122.05x6TPI ACME	35			

IDF-13HB | Hexagonal blank nut



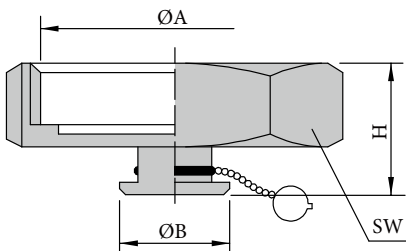
SIZE	A	H	SW			
1"	34.34x8TPI ACME	30	46			
1.5"	47.86x8TPI ACME	30	60			
2"	61.37x8TPI ACME	30	75			
2.5"	74.88x8TPI ACME	30	90			
3"	88.40x8TPI ACME	30	105			
4"	122.05x6TPI ACME	35	133			

IDF-13RBN | Blank nut with boss



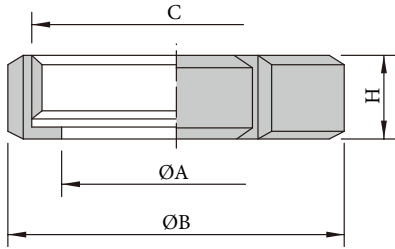
SIZE	SW	B	H			
1"	44.5	34.34x8TPI ACME	37			
1.5"	57.2	47.86x8TPI ACME	37			
2"	70.0	61.37x8TPI ACME	37			
2.5"	86.0	74.88x8TPI ACME	37			
3"	102.0	88.40x8TPI ACME	37			
4"	133.0	122.05x6TPI ACME	42			

IDF-13HBN | Hexagonal blank nut with boss



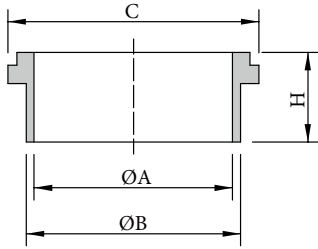
SIZE	A	H	SW			
1"	34.34x8TPI ACME	37	46			
1.5"	47.86x8TPI ACME	37	60			
2"	61.37x8TPI ACME	37	75			
2.5"	74.88x8TPI ACME	37	90			
3"	88.40x8TPI ACME	37	105			
4"	122.05x6TPI ACME	42	133			

ISO-13R | Nut



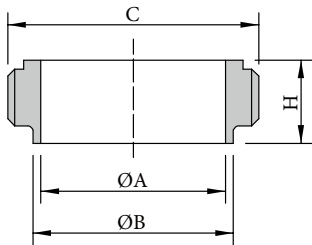
SIZE	A	B	C	H		
1"	30.5	44.5	34.34x8TPI ACME	30		
1.5"	43.5	74	47.86x8TPI ACME	30		
2"	57.0	75	61.37x8TPI ACME	30		
2.5"	70.7	90	74.88x8TPI ACME	30		
3"	83.3	105	88.40x8TPI ACME	30		
4"	112	133	115.42x8TPI ACME	35		

ISO-14 | Welding liner



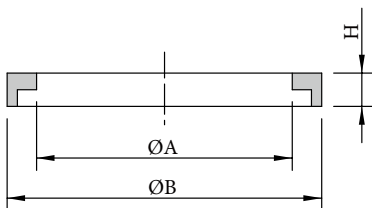
SIZE	A	B	C	H		
1"	22.6	25	33.8	21.5		
1.5"	35.6	38	47	21.5		
2"	48.6	51	60.5	21.5		
2.5"	60.3	63.5	74	21.5		
3"	72.9	76.1	87.5	21.5		
4"	97.6	101.6	120.6	30		

ISO-15 | Welding male



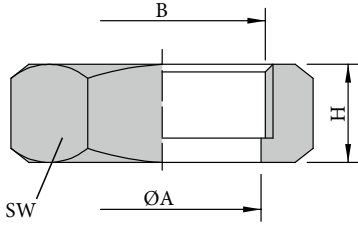
SIZE	A	B	C	H		
1"	22.6	25	37.13x8TPI ACME	21.5		
1.5"	35.6	38	50.65x8TPI ACME	21.5		
2"	48.6	51	64.16x8TPI ACME	21.5		
2.5"	60.3	63.5	77.67x8TPI ACME	21.5		
3"	72.9	76.1	91.19x8TPI ACME	21.5		
4"	97.6	101.6	118.21x8TPI ACME	30		

Seal ring



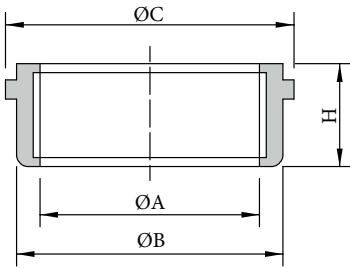
SIZE	A	B	H			
1"	23.2	32.5	6			
1.5"	35.9	46	6			
2"	48.6	59.5	6			
2.5"	61.3	73.2	6			
3"	74	86.5	6			
4"	98.6	112.5	6			

ISO-13H | Hexagonal Nut



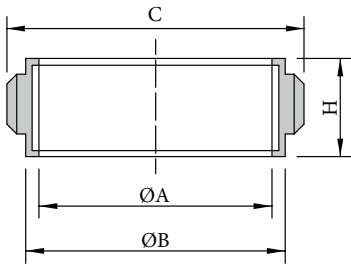
SIZE	A	B	C	H		
1"	33.3	34.34x8TPI ACME	30	46		
1.5"	46	47.86x8TPI ACME	30	60		
2"	58.7	61.37x8TPI ACME	30	75		
2.5"	71.4	74.88x8TPI ACME	30	90		
3"	84.1	88.40x8TPI ACME	30	105		
4"	109.5	115.42x8TPI ACME	30	135		

ISO-14R | Expanding liner



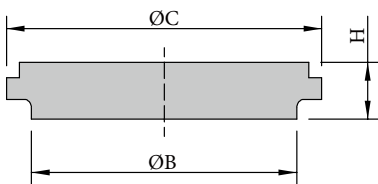
SIZE	A	B	C	H		
1"	25.7	29	33.8	20		
1.5"	38.4	42.5	47	20		
2"	51.2	56	60.5	20		
2.5"	63.9	69.7	74	25		
3"	76.6	82.3	87.5	30		
4"	102	111.1	114.1	30		

ISO-15R | Expanding male



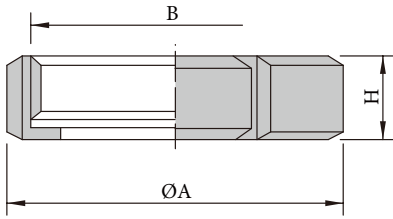
SIZE	A	B	C	H		
1"	25.7	29	37.13x8TPI ACME	21.5		
1.5"	38.4	42.5	50.65x8TPI ACME	21.5		
2"	51.2	56	64.16x8TPI ACME	21.5		
2.5"	63.9	69.7	77.67x8TPI ACME	21.5		
3"	76.6	82.3	91.19x8TPI ACME	21.5		
4"	102	111.1	118.21x8TPI ACME	21.5		

ISO-14B | Blank liner



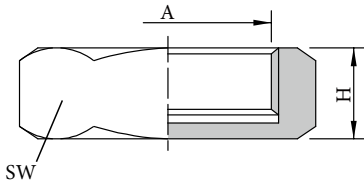
SIZE	B	C	H			
1"	29	33.8	10.5			
1.5"	42.5	47	10.5			
2"	56	60.5	10.5			
2.5"	69.7	74	10.5			
3"	82.3	87.5	10.5			
4"	111.1	114.1	10.5			

ISO-13RB | Blank Nut



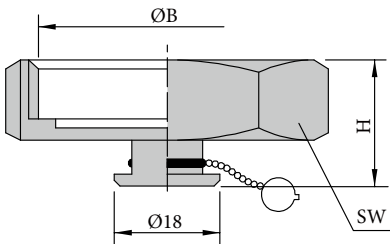
SIZE	A	B	H			
1"	44.5	34.34x8TPI ACME	30			
1.5"	74	47.86x8TPI ACME	30			
2"	75	61.37x8TPI ACME	30			
2.5"	90	74.88x8TPI ACME	30			
3"	105	88.40x8TPI ACME	30			
4"	135	115.42x8TPI ACME	30			

ISO-13HB | Hexagonal blank nut



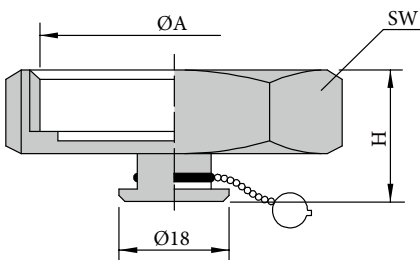
SIZE	A	H	SW			
1"	34.34x8TPI ACME	30	46			
1.5"	47.86x8TPI ACME	30	60			
2"	61.37x8TPI ACME	30	75			
2.5"	74.88x8TPI ACME	30	90			
3"	88.40x8TPI ACME	30	105			
4"	115.42x8TPI ACME	30	135			

ISO-13RBN | Blank nut with boss



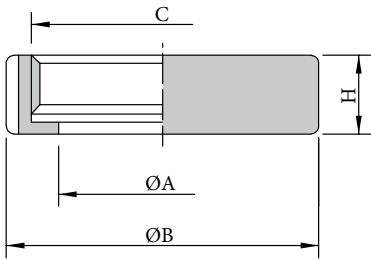
SIZE	SW	B	H			
1"	44.5	34.34x8TPI ACME	37			
1.5"	74	47.86x8TPI ACME	37			
2"	75	61.37x8TPI ACME	37			
2.5"	90	74.88x8TPI ACME	37			
3"	105	88.40x8TPI ACME	37			
4"	135	115.42x8TPI ACME	37			

ISO-13HBN | Hexagonal blank nut with boss



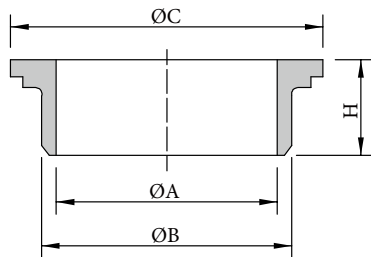
SIZE	A	H	SW			
1"	34.34x8TPI ACME	37	46			
1.5"	47.86x8TPI ACME	37	60			
2"	61.37x8TPI ACME	37	75			
2.5"	74.88x8TPI ACME	37	90			
3"	88.40x8TPI ACME	37	105			
4"	115.42x8TPI ACME	37	135			

DS-13 | Nut



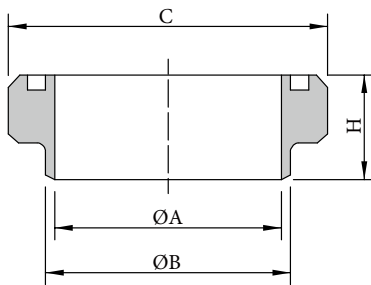
SIZE	A	B	C	H		
1"	35	57	Rd44x1/6"	20		
1-1/4"	42	65	Rd52x1/6"	20		
1-1/2"	48	71	Rd58x1/6"	20		
2"	62	88	Rd72x1/6"	22		
2-1/2"	76	103	Rd88x1/6"	24		
3"	88	115	Rd100x1/6"	25		
4"	116	148	Rd130x1/4"	31		

DS-14 | Welding liner



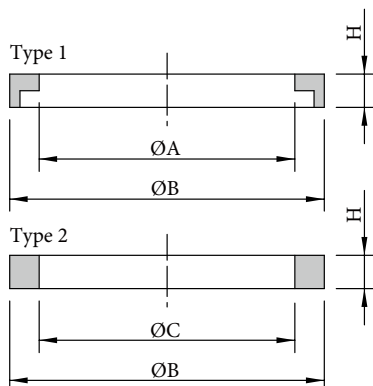
SIZE	A	B	C	H		
1"	22.4	28.5	40	16		
1-1/4"	28.75	35	48	16		
1-1/2"	35.1	41.4	54	18		
2"	47.8	54	68	20		
2-1/2"	60.5	66.5	84	22		
3"	72.2	79.5	96	24		
4"	97.6	105	124.6	29		

DS-15 | Welding male



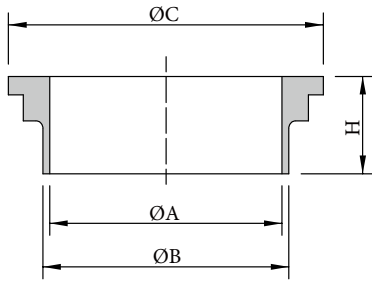
SIZE	A	B	C	H		
1"	22.4	28.5	Rd44x1/6"	20		
1-1/4"	28.75	35	Rd52x1/6"	20		
1-1/2"	35.1	41.4	Rd58x1/6"	22		
2"	47.8	54	Rd72x1/6"	24		
2-1/2"	60.5	66.5	Rd88x1/6"	26		
3"	72.2	79.5	Rd100x1/6"	28		
4"	97.6	105	Rd130x1/4"	34		

Seal ring |



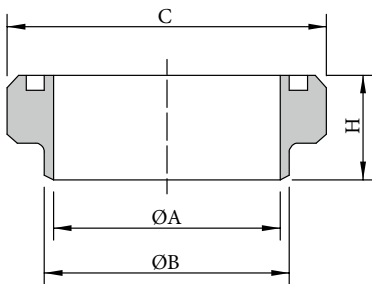
SIZE	A	B	C	H		
1"	22.6	31.8	25.5	5		
1-1/4"	29	40.8	31.8	5		
1-1/2"	35.3	46.8	38.2	5		
2"	48.0	58.8	50.9	5		
2-1/2"	60.7	74.3	60.6	5		
3"	72.4	87.8	76.3	5		
4"	97.8	115.8	101.7	5		

DS-14H | Welding liner



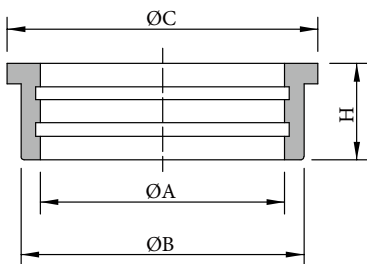
SIZE	A	B	C	H		
1"	22.4	25.4	40	16		
1-1/4"	28.75	31.75	48	16		
1-1/2"	35.1	38.1	54	18		
2"	47.8	50.8	68	20		
2-1/2"	60.5	63.5	84	22		
3"	72.2	76.2	96	24		
4"	97.6	101.6	124.6	29		

DS-15H | Welding male



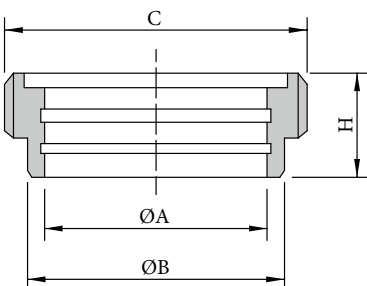
SIZE	A	B	C	H		
1"	22.4	25.4	Rd44x1/6"	20		
1-1/4"	28.75	31.75	Rd52x1/6"	20		
1-1/2"	35.1	38.1	Rd58x1/6"	22		
2"	47.8	50.8	Rd72x1/6"	24		
2-1/2"	60.2	63.5	Rd88x1/6"	26		
3"	72.2	76.2	Rd100x1/6"	28		
4"	97.6	101.6	Rd130x1/4"	34		

DS-14R | Expanding liner



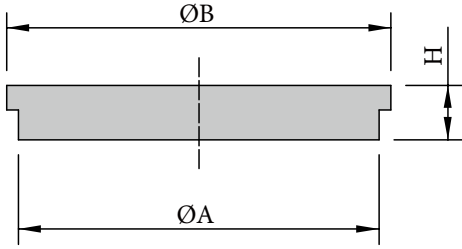
SIZE	A	B	C	H		
1"	25.5	34.5	40	16		
1-1/4"	31.9	41.5	48	16		
1-1/2"	38.2	47.5	54	18		
2"	50.9	61.5	68	20		
2-1/2"	63.6	75.5	84	22		
3"	76.3	87.5	96	24		
4"	101.7	115.5	124.6	29		

DS-15R | Expanding male



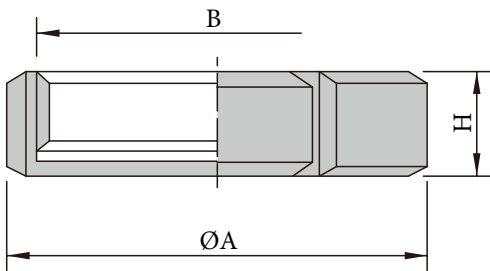
SIZE	A	B	C	H		
1"	25.5	34.5	Rd44x1/6"	20		
1-1/4"	31.9	41.5	Rd52x1/6"	20		
1-1/2"	38.2	47.5	Rd58x1/6"	22		
2"	50.9	61.5	Rd72x1/6"	24		
2-1/2"	63.6	75.5	Rd88x1/6"	26		
3"	76.3	87.5	Rd100x1/6"	28		
4"	101.7	115.5	Rd130x1/4"	34		

DS-14B | Blank liner



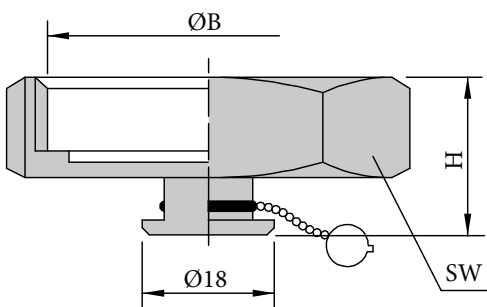
SIZE	A	B	H			
1"	34.5	40.5	6			
1-1/4"	41.5	48	6			
1-1/2"	47.5	54	6			
2"	61.5	68	6			
2-1/2"	75.5	84	8			
3"	87.5	96	8			
4"	115	124.6	9			

DS-13RB | Blank nut



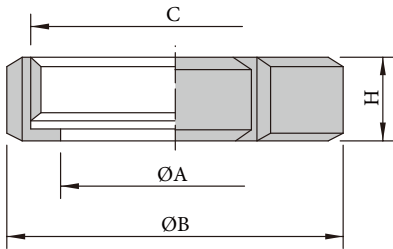
SIZE	A	B	H			
1"	57	Rd44x1/6"	20			
1-1/4"	65	Rd52x1/6"	20			
1-1/2"	71	Rd58x1/6"	20			
2"	88	Rd72x1/6"	22			
2-1/2"	103	Rd88x1/6"	24			
3"	115	Rd100x1/6"	25			
4"	148	Rd130x1/4"	31			

DS-13RBN | Blank nut with boss



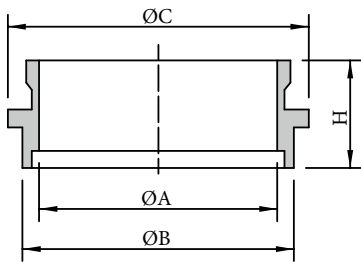
SIZE	A	B	C	H		
1"	57	Rd44x1/6"	27			
1-1/4"	65	Rd52x1/6"	27			
1-1/2"	71	Rd58x1/6"	27			
2"	88	Rd72x1/6"	27			
2-1/2"	103	Rd88x1/6"	31			
3"	115	Rd100x1/6"	32			
4"	148	Rd130x1/4"	38			

MACON-13 | Nut



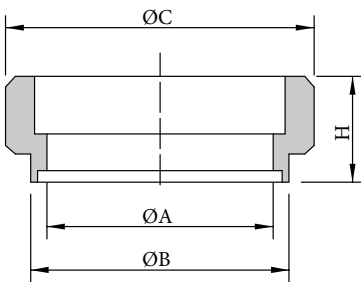
SIZE	A	B	C	H		
40	37	70	M55xP3.0	24		
50	57	80	M67xP3.0	24		
60	67	95	M79xP3.5	24		
70	77	106	M90xP3.5	24		
80	90	118	M102xP4.0	25		
100	112	139	M125xP4.0	25		

MACON-14 | Welding liner



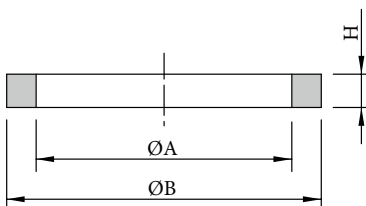
SIZE	A	B	C	H		
40	40	43.3	50	22		
50	50	53.3	62.5	22		
60	60	63.3	73.5	22		
70	70	73.3	85	22		
80	80	83.3	96	22		
100	100	104.2	119	22		

MACON-15 | Welding male



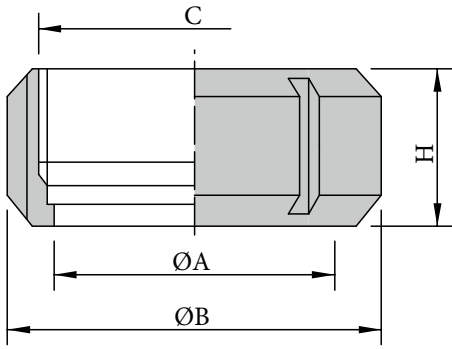
SIZE	A	B	C	H		
40	40	43.3	M55xP3.0	22		
50	50	53.3	M67xP3.0	22		
60	60	63.3	M79xP3.5	22		
70	70	73.3	M90xP3.5	22		
80	80	83.3	M102xP4.0	22		
100	100	104.2	M125xP4.0	22		

Seal ring |



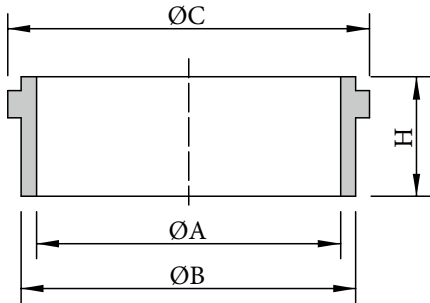
SIZE	A	B	H			
40	43	49	4			
50	53	61.5	4			
60	63	72.5	4			
70	73	84	4			
80	83	95	4			
100	103	118	4			

GB-13R | Nut



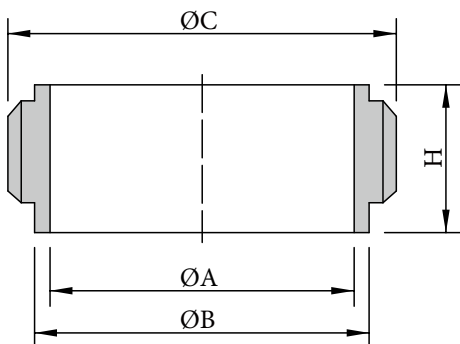
SIZE	A	B	C	H		
25	30.5	48	Tr36x3	30		
33.7	39	58	Tr46x3	30		
38	43.5	64	Tr50x3	30		
51	57	77	Tr65x4	34		
63.5	70.7	91	Tr80x4	34		
76.1	83.3	106	Tr90x4	34		
88.9	97	122	Tr110x4	34		
101.6	110	135	Tr120x4	42		

GB-14 | Welding liner



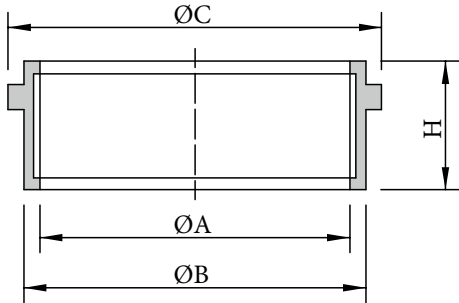
SIZE	A	B	C	H		
25	22.6	29.2	33.8	21.5		
33.7	31.6	38.2	42.5	21.5		
38	35.6	42.7	47	21.5		
51	48.6	56.2	60.5	21.5		
63.5	60.3	69.9	74	21.5		
76.1	72.9	82.6	87.5	21.5		
88.9	84.9	95.7	101	21.5		
101.6	97.6	108.7	114.1	21.5		

GB-15 | Welding male



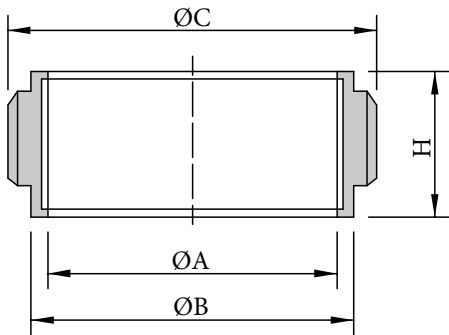
SIZE	A	B	C	H		
25	22.6	29.2	Tr36x3	21.5		
33.7	31.6	38.2	Tr46x3	21.5		
38	35.6	42.7	Tr50x3	21.5		
51	48.6	56.2	Tr65x4	21.5		
63.5	60.3	69.9	Tr80x4	21.5		
76.1	72.9	82.6	Tr90x4	21.5		
88.9	84.9	95.7	Tr110x4	21.5		
101.6	97.6	108.7	Tr120x4	21.5		

GB-14R | Expanding liner



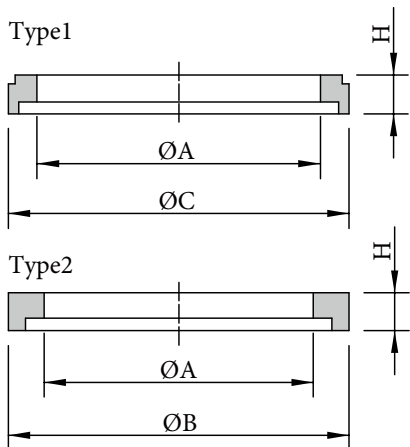
SIZE	A	B	C	H		
25	25	29	33.8	20		
33.7	33.7	38	42.5	20		
38	38	42.5	47	20		
51	51	56	60.5	20		
63.5	63.5	69.7	74	30		
76.1	76.1	82.3	87.5	30		
88.9	88.9	96	101	30		
101.6	101.6	109	114.1	30		

GB-15R | Welding male



SIZE	A	B	C	H		
25	25	29	Tr36x3	17		
33.7	33.7	38	Tr46x3	20		
38	38	42.5	Tr50x3	20		
51	51	56	Tr65x4	25		
63.5	63.5	69.7	Tr80x4	25		
76.1	76.1	82.3	Tr90x4	30		
88.9	88.9	96	Tr110x4	30		
101.6	101.6	109	Tr120x4	30		

Seal ring



SIZE	A	B	C	H		
25	23.6	32.5	32.2	6		
33.7	32.3	41.5	41.2	6		
38	36.6	46	45.7	6		
51	49.6	59.5	59.2	6		
63.5	61.3	73.2	72.9	6		
76.1	73.9	86.5	85.6	6		
88.9	85.9	99.5	98.7	6		
101.6	98.6	112.5	111.7	6		